

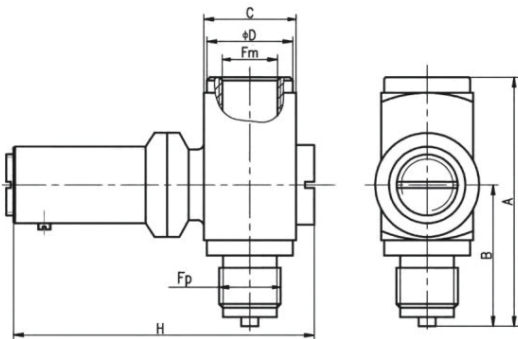


## 1. AOP-1 Series Diaphragm Overload Protection Device

### ● Applications:

\* Always attaches with chemical seals, mainly used for viscous, or easy to be crystallized media.

Specification	
Setting range	0.016-1.6MPa
Over pressure limit	0-5MPa
Working temperature	-25~120°C
Diaphragm material	316L
Set point accuracy	±4%
Wetted material	316+BUNA
Connection	M20*1.5M-M20*1.5F 1/2"NPT M-1/2"NPT F



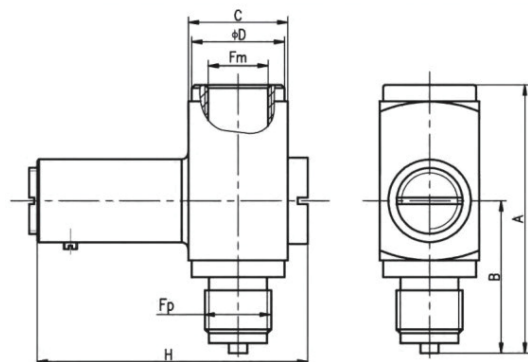
Range	A	B	C	D	H	Fp/Fm	Product Code
0.016-1.0MPa	78mm	46mm	30mm	28mm	98mm	G1/2"- G1/2"	AOP-11
	75mm	46mm	30mm	28mm	98mm	NPT1/2"- NPT1/2"	AOP-12

## 2. AOP-2 Series Piston Overload Protection Device

### ● Applications:

\* For visous and sedimentous process medium with diaphragm seals.

Specification	
Setting range	2.5-40MPa
Over pressure limit	0-40MPa
Working temperature	-25~120°C
Diaphragm material	316L
Set point accuracy	±4%
Wetted material	316+BUNA
Connection	M20*1.5M-M20*1.5F 1/2"NPT M-1/2"NPT F



Range	A	B	C	D	H	Fp/Fm	Product Code
0.016-1.0MPa	78mm	44mm	30mm	28mm	77mm	G1/2"- G1/2"	AOP-21
	75mm	44mm	30mm	28mm	77mm	NPT1/2"- NPT1/2"	AOP-22