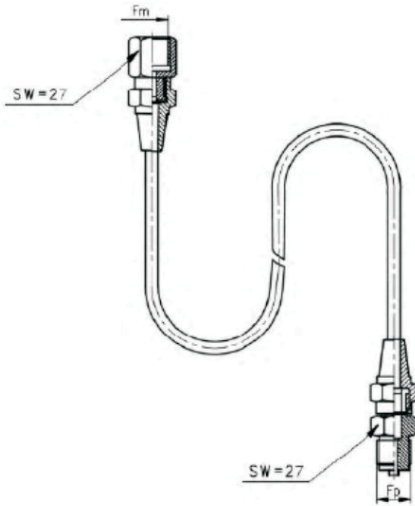


1. ACT-1 Series Connector with Capillary

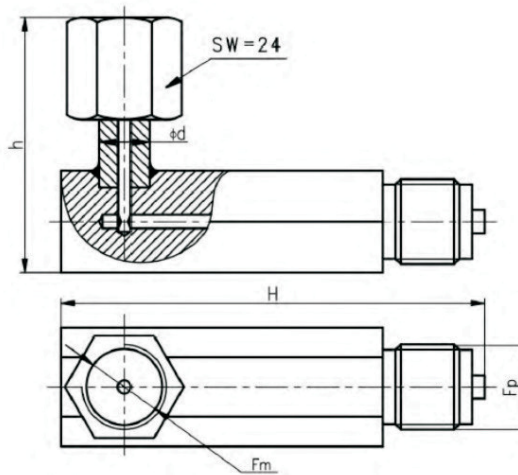


DIMENSIONS
Unit (mm)



Fp/Fm	Product Code
G1/2" - G1/2"	ACT-11
NPT1/2" - NPT1/2"	ACT-12

2. ACT-2 Series Special Angle Connector



Fp/Fm	d	H	h	Product Code
G1/2" - G1/2"	12mm	103mm	60mm	ACT-21
NPT1/2" - NPT1/2"	12mm	100mm	60mm	ACT-22