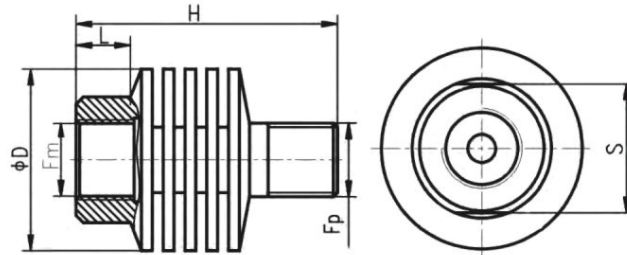




### 3. APR-3 Series Pressure Radiator

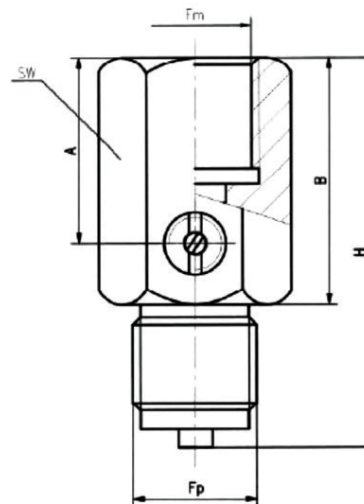
Specifications	
Radiation rate	60%
Pressure resistance	60MPa



Fp/Fm	D	H	L	S	Product Code
G1/2" - G1/2"	50mm	72mm	15mm	30mm	APR-31
NPT1/2" - NPT1/2"	50mm	72mm	15mm	30mm	APR-32

### DPN Series Dampeners

Specifications	
Nominal pressure	0-40MPa
Dam adjustable range	0-100%
Wetted material	316+BUNA
Connection	1/2"NPT M - 1/2"NPT F , G1/2"M - G1/2"F



Fp/Fm	A	B	H	SW	Product Code
G1/2" - G1/2"	30mm	40mm	63mm	27mm	DPN-1
NPT1/2" - NPT1/2"	30mm	40mm	63mm	27mm	DPN-2