

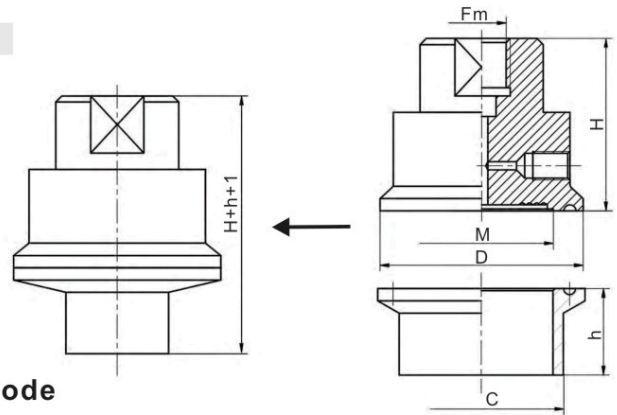


Sanitary Diaphragm Seals, DSC Series

Specifications	
Range	-0.1-0/0~1.6MPa; F7:-0.1~0/0~4MPa
Accuracy	±1.6%
Working Temperature	-45~+150°C
Diaphragm Material	316L
Wetted material	316+Silicone gasket
Connection	1/4"NPT, 1/2"NPT
Filling liquid	Silicone oil



DSC-1 Clamp Type



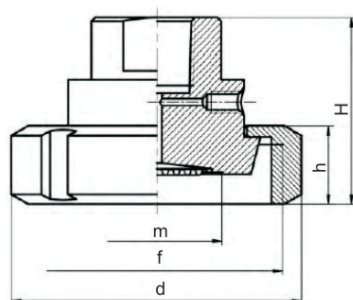
DSC-1 Product Code

DN	D	H	h	C	M	Connection	Product Code
1"	50.5mm	42.5mm	21mm	25.4mm	35.5mm	1/4"NPT	D515I
						1/2"NPT	D512I
1.5"	50.5mm	42.5mm	21mm	38.1mm	35.5mm	1/4"NPT	D524I
						1/2"NPT	D522I
2"	64mm	42.5mm	21mm	50.8mm	35.5mm	1/4"NPT	D534I
						1/2"NPT	D532I
2.5"	77.5mm	42.5mm	21mm	63.5mm	58mm	1/4"NPT	D544I
						1/2"NPT	D542I

DSC-2 Product Code



DSC-2 Union Type



DN	H	h	d	m	f	Connection	Product Code
1.5"	51mm	23mm	72mm	35mm	Rd60×1/6	1/4"NPT	D714I
						1/2"NPT	D712I
2"	51mm	23mm	82mm	50mm	Rd70×1/6	1/4"NPT	D724I
						1/2"NPT	D722I
2.5"	51mm	25mm	98mm	58mm	Rd85×1/6	1/4"NPT	D734I
						1/2"NPT	D732I

DN	H	h	d	m	f	Connection	Product Code
25mm	44mm	21mm	63mm	35mm	Rd52×1/6	1/4"NPT	D614M
						1/2"NPT	D612M
32mm	49mm	21mm	68mm	35mm	Rd58×1/6	1/4"NPT	D624M
						1/2"NPT	D622M
40mm	49mm	21mm	76mm	42mm	Rd65×1/6	1/4"NPT	D634M
						1/2"NPT	D632M
50mm	50mm	22mm	90mm	50mm	Rd95×1/6	1/4"NPT	D644M
						1/2"NPT	D642M
65mm	52mm	24mm	110mm	58mm	Rd95×1/6	1/4"NPT	D654M
						1/2"NPT	D652M

● Features:

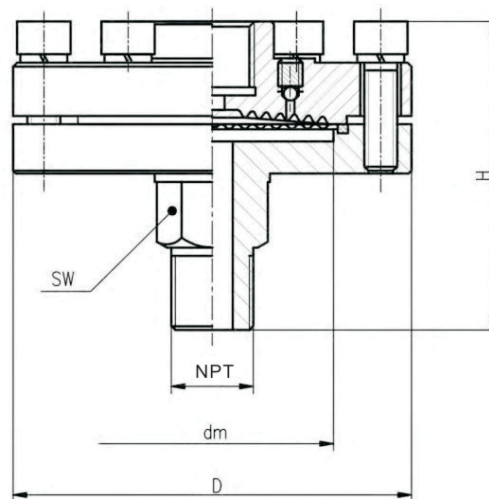
- * High temperature: Max 240°C
- * Diaphragm material: SS 316 standard, others are available (Hastelloy C, Titanium, Monel)
- * Wetted material: DN 0.75"(20mm), DN 1.5"(40mm), DN 2"(50mm), DN 2.5"(63mm)
- * Filling liquid: As different media, optional fluorocarbon oil, -60+120°C, Food oil, -20+60°C

● Applications:

- * Provides an economical solution to protect instruments from corrosion and clogging
- * Used to isolate and protect a pressure instrument on ultra-pure or highly corrosive fluid lines
- * Can be used with liquids such as demineralized water, sulphuric acid, hydrochloric acid and caustic gases (such as corrosive air and ammonia), where such fluids will corrode metal instruments
- * Review of chemical compatibility is available upon request

1. Standard Diaphragm Seals, DSS Series

Specifications	
Range	FNH 0-0.25/0-25MPa; FNM 0-4/0-25MPa; FNS -0.1-0/0-6MPa; FNG 0-10/0-40MPa
Accuracy	±1.6%
Working Temperature	-45~+150°C
Diaphragm Material	316L
Wetted material	316+BUNA
Connection	1/4"NPT, 1/2" NPT
Filling liquid	Silicone oil

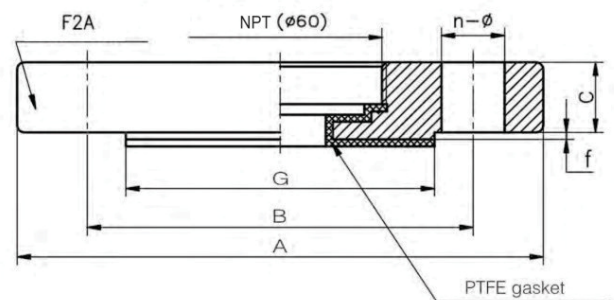
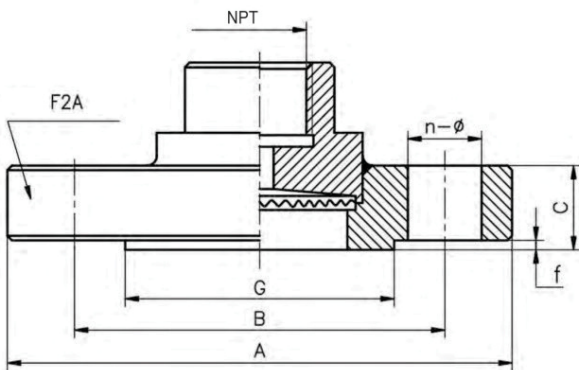
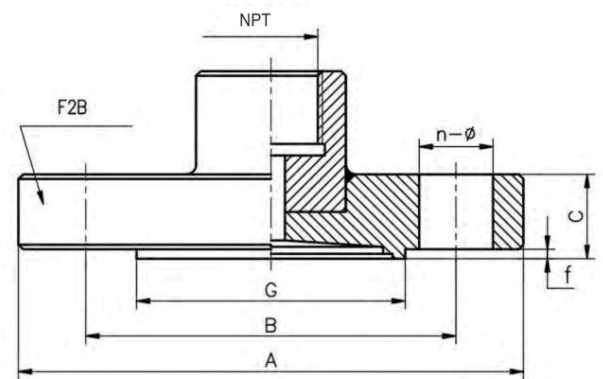
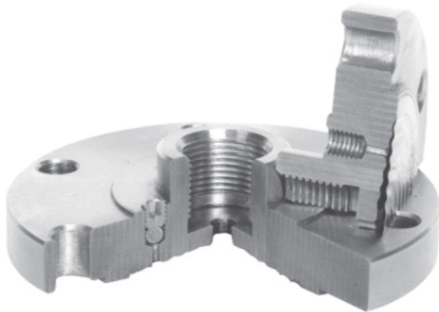


D	dm	H	SW	Connection	Product Code
61.5mm	42mm	66mm	24mm	1/4"NPT	D114M
				1/2"NPT	D112M
77mm	42mm	71mm	24mm	1/4"NPT	D124M
				1/2"NPT	D122M
97mm	61mm	72mm	24mm	1/4"NPT	D134M
				1/2"NPT	D132M
97mm	30mm	72mm	24mm	1/4"NPT	D144M
				1/2"NPT	D142M



2. Flanged Diaphragm Seals, DSF Series

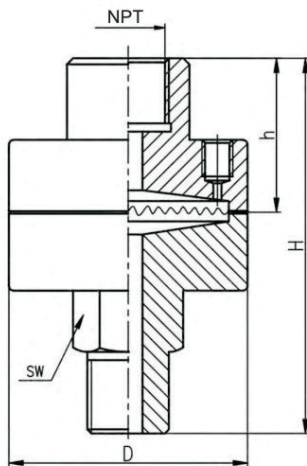
Specifications	
Range	-0.1-0/0-16MPa
Accuracy	±1.6%
Working Temperature	-45~+150°C
Diaphragm Material	316L
Wetted material	304
Filling liquid	Silicone oil
Flange standard	ANSI B 16.5, DIN 2501



Flange	Lower Housing Wetted Parts	Connection	Wetted	Product Code
1" - 150#RF	SS 316	SS316	1/4"NPT	D21154I
			1/2"NPT	D21302I
1" - 300#RF	SS 316	SS 316	1/4"NPT	D22304I
			1/2"NPT	D22302I
1.5" - 150#RF	SS 316	SS 316	1/4"NPT	D23154I
			1/2"NPT	D23152I
1.5" - 300#RF	SS 316	SS 316	1/4"NPT	D24304I
			1/2"NPT	D24302I
2" - 150#RF	SS 316	SS 316	1/4"NPT	D25154I
			1/2"NPT	D25152I
2" - 300#RF	SS 316	SS 316	1/4"NPT	D26304I
			1/2"NPT	D26302I

3. Welded Diaphragm Seals DST-1 Series

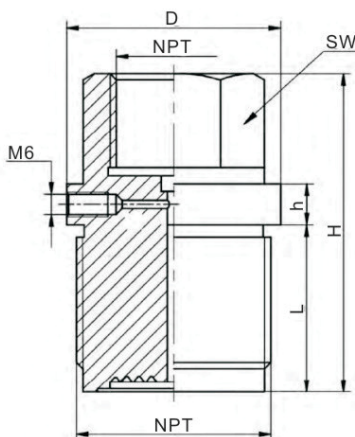
Specifications	
Range	AMH 0~0.6/0~60MPa; AMM 0~0.4/0~60MPa; AMS 0~1.6/0~60MPa; AMG- 0.1~0/0~16MPa
Accuracy	±1.6%
Working Temperature	-45~+150°C
Diaphragm Material	316L
Body material	304
Connection	1/4"NPT, 1/2" NPT
Filling liquid	Silicone oil



D	H	h	SW	Connection	ProductCode
34mm	54mm	30mm	24mm	1/4"NPT	D314M
				1/2"NPT	D312M
57.1mm	74mm	47mm	24mm	1/4"NPT	D324M
				1/2"NPT	D322M
62mm	87mm	47mm	24mm	1/4"NPT	D334M
				1/2"NPT	D332M
82mm	84mm	47mm	24mm	1/4"NPT	D354M
				1/2"NPT	D352M

4. Threaded Diaphragm Seals DST-2 Series

Specifications	
Range	0-0.06/0-40MPa
Accuracy	±1.6%
Working Temperature	-45~+150°C
Diaphragm Material	316L
Flange material	304
Flange standard	ANSI B 16.5, DIN 2501
Extension	0-300mm



D	H	h	L	SW	Connection	Product Code
70mm	80mm	10mm	50mm	32mm	1/4"NPT	D414M
					1/2"NPT	D412M
52mm	70mm	10mm	45mm	32mm	1/4"NPT	D424M
					1/2"NPT	D422M
44mm	70mm	10mm	35mm	32mm	1/4"NPT	D434M
					1/2"NPT	D432M
42mm	55mm	10mm	25mm	32mm	1/4"NPT	D444M
					1/2"NPT	D442M