



Description:

PDC series pressure controller is smart digital display and controller of pressure. It has 2 switches output and 1 analog output. As safety requirements become more stringent, the determining factor in specifying an industry pressure, differential pressure rests upon that switch protecting equipment, processes and personnel. PDC series is the choice where potentially explosive or highly corrosive atmospheres exist.

Features:

- * 100 meter installation standards
- * 4 LED the display value
- * 2 control point for the output relays 220Vx3A
- * 4~20mA standard analog output (optional)
- * Use 2 pushbutton to update the control points.

Application:

Widely used in water pipe, oil pipe or gas pipe, chemicals and machinery, etc, by hydraulic pressure to the pressure of fluids medium for that the measurement and control.



Specifications

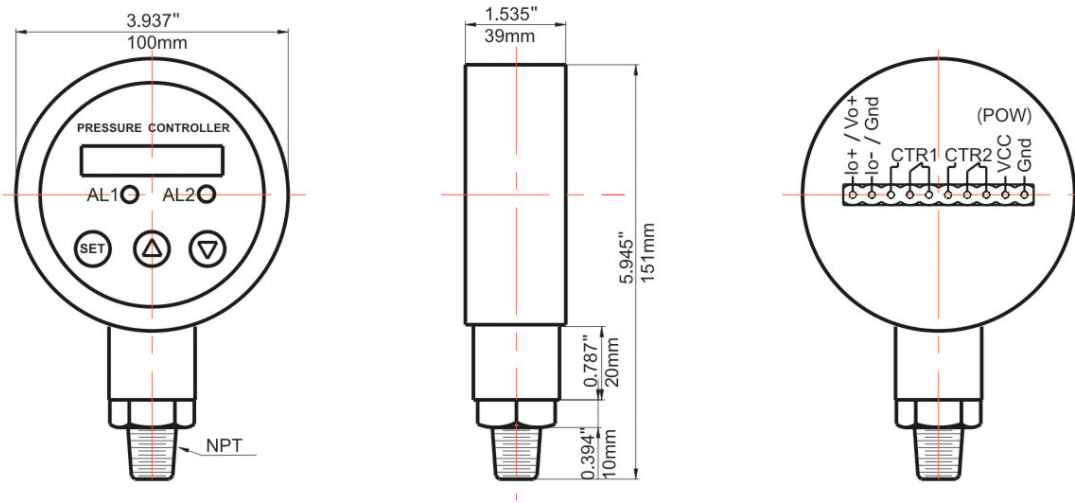
Rate capacity(Range)	-0.1~200MPa
Stability	≤0.2%FS/year
Safe Pressure	150%FS
Power voltage	DC 24V±20% or AC 220V
Display mode	4x0.56" LED
Operating ambient	-20~70°C, ≤80%RH
Set point (Actuation value)	0~Range
Mounting thread	1/2"NPT, etc.
Accuracy	0.5%FS
type of pressure	Gauge pressure
Proof Pressure	250%FS
Sampling Frequency	10Hz
Display range	-1999~9999
Storage ambient	-30~85°C, ≤90%RH
Ouput	4~20mA
Material	Stainless steel

PDC-1 Series Product Code for Normal Pressure

Dial size	4"(100mm)	
Ouput	4~20mA	
Normal pressure	Product Code	Pressure Unit Select
30"/0/150 psi	PCL34305N	psi MPa bar kgf/cm ² atm
30"/0/200 psi	PCL34306N	
30"/0/300 psi	PCL34307N	
0/160 psi	PCL345N	
0/200 psi	PCL346N	
0/300 psi	PCL347N	
0/600 psi	PCL348N	
0/1,000 psi	PCL349N	
0/1,500 psi	PCL3410N	
0/2,000 psi	PCL3411N	
0/3,000 psi	PCL3412N	
0/5,000 psi	PCL3413N	
0/10,000 psi	PCL3414N	
0/15,000 psi	PCL3415N	

PDC-2 Series Product Code for Low Pressure

Dial size	4"(100mm)	
Ouput	4~20mA	
Low pressure	Product Code	Pressure Unit Select
30" Hg Vac	PCL3430VL	psi kPa inH ₂ O mbar mmHg
30"/0/15 psi	PCL34301L	
30"/0/30 psi	PCL34302L	
30"/0/60 psi	PCL34303L	
30"/0/100 psi	PCL34304L	
0/15 psi	PCL341L	
0/30 psi	PCL342L	
0/60 psi	PCL343L	
0/100 psi	PCL344L	



● Installation

* Mechanical port :

PDC by its screw directly on the pipe.

Note: the measure under 100kpa must be mounted vertically.

* Electrical connection(refer to diagram 2, 3)

To prevent the electromagnetic interference and influence should pay attention to the following matters:

* Connection wire as short as possible

* Adopting shielded wire

* Try to avoid a direct cause disturbance to a device or an electrical and electronic device operators

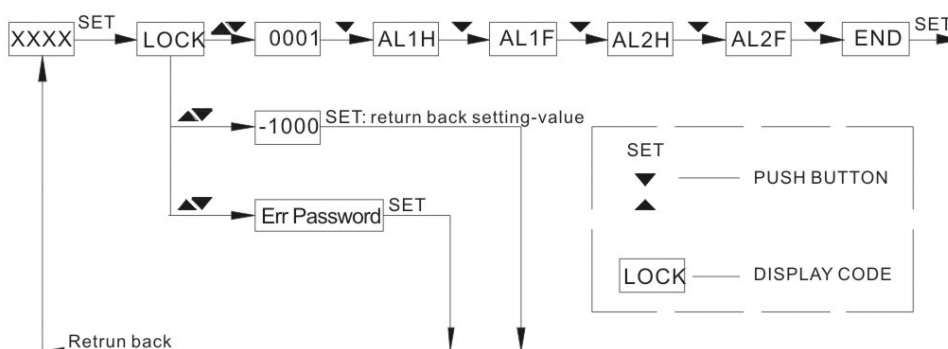
* If the hose with tiny, we must pick a separate enclosure

● Function Setting

* Switch relay output

PDC has two switch measure to output. the corresponding output in the value of a switch to switch to the pressure has dropped below the release of value to answer.

* Setting switch point



AL1H - The value of a switch to the value of 1 (switch 1 closing, SP1 on)

AL1F - This value for the release switch 1 value (switch 1 open, SP1 off)

AL2H - The value of a switch to the value of 2 (switch 2 closing, SP2 on)

AL2F - This value for the release switch 2 value (switch 2 closing, SP2 off)