

### ● Features:

- \* Wide range of mechanical and electrical connections
- \* Customizable, Standard type or Precision type
- \* Excitation voltage: 9~33Vdc for transmitter, 3~12Vdc for transducer (sensor)
- \* 1 year warranty

### ● Applications:

- \* Process control system
- \* Liquid level measurement, gas compressors, lubrication systems, natural gas production, chemical processing
- \* Waste water treatment, pulp & paper processing, oil production, recovery and others.



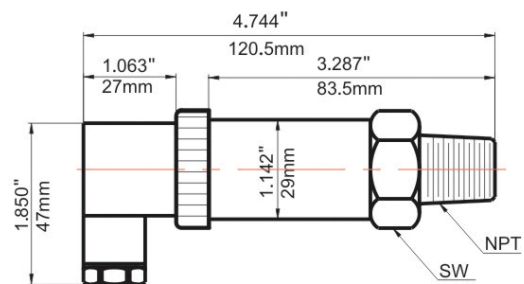
### Specifications

<b>Range</b>	From -15psi to 10000psi
<b>Output</b>	4mA (Zero) ~ 20mA (Full scales)
<b>Total Accuracy</b>	≤ 1.0%FS, 0.5%FS, 0.25%FS, 0.1%FS (the compensated temperature range)
<b>Long Term Stability</b>	Will repeat within 0.5%FS, 0.25%FS, 0.1%FS of original calibration curve for one year
<b>Safe Pressure</b>	150% full scale
<b>Proof Pressure</b>	250% full scale
<b>Cycling life</b>	In excess of 10 <sup>6</sup> cycles at full scale pressure

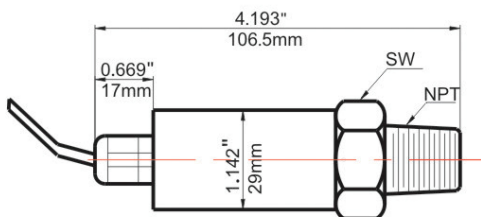
### ● PTG Series Product Code

Range	Over-pressure	Burst Pressure	Product Code
-15-0psi	1.5psi	20psi	TMP11
0-15psi	22.5psi	30psi	TMP12
0-30psi	45psi	60psi	TMP13
0-60psi	90psi	120psi	TMP14
0-100psi	150psi	200psi	TMP15
0-150psi	225psi	300psi	TMP16
0-200psi	300psi	400psi	TMP17
0-300psi	450psi	600psi	TMP18
0-600psi	900psi	1200psi	TMP19
0-1000psi	1500psi	2000psi	TMP110
0-2000psi	3000psi	4000psi	TMP111
0-3000psi	4500psi	6000psi	TMP112
0-5000psi	7500psi	10000psi	TMP113
0-10000psi	15000psi	20000psi	TMP114

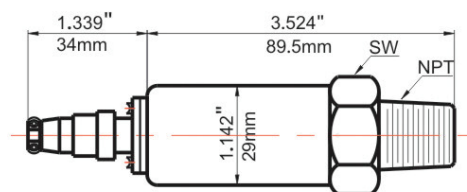
### ● Hirschmann Socket Type



### ● Cable Type



### ● Aerospace Plug Type



**● Environmental:**

- \* Compensated Temperature Range:-20 ~ 75°C
- \* Operating Temperature Rang:-30 ~ 85°C
- \* Storage Temperature Range:-40 ~ 100°C
- \* Vibration:15 grms 10-2000Hz(MIL-STD-202 M204 Cond.B)
- \* Shock:50g's, 11ms, (MIL-STD-202 M213 Cond.G)

**● Electrical Connection:**

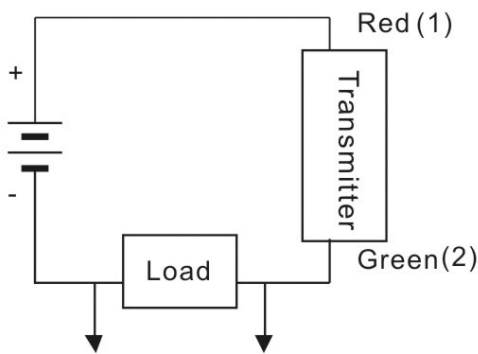
**1. For transducer/sensor:**

- \* Green(1#) - signal output positive (S+), white(3#) - signal output negative (S-)
- \* Red(2#) - excitation positive(E+), black(4#) - excitation negative(E-)
- \* Black & lonth(5#) - shield

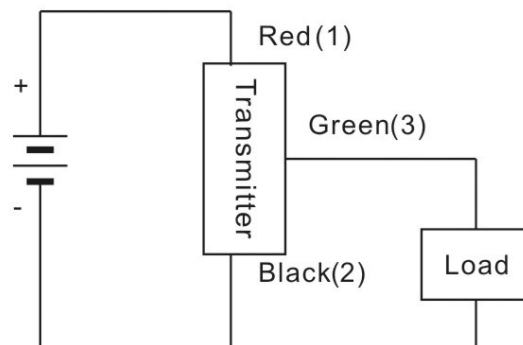
**2. For transmitter:**

- \* 4 - 20mA(2-wire): Red(1#) - power supply(E+),  
Green (2#) - signal output(Iout)
- \* 0/4 - 10/20mA(3 wire): Red(1#) - power supply(E+),  
Black(2#) - power supply(E-),  
Green(3#) - signal output(Iout)
- \* 0/1 - 5/10V(3 wire): Red(1#) - power supply(E+),  
Black(2#) - power supply(E-),  
Green(3#) - signal output(Vout)

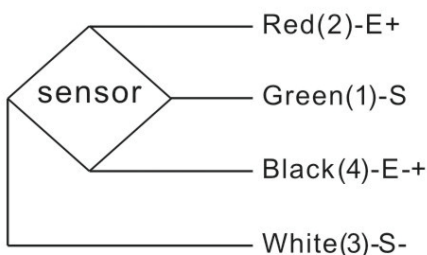
**● Wiring Schematic:**



**● 2-wire Transmitter**



**● 3-wire Transmitter**



**● 4-wire Transmitter**



### ● Type Selections:

Model	Material	Housing body size	Output	Pressure Range
PTG	S-Steelless A – Alloy C – Copper	<b>Steelless:</b>	0 – mV(for Sensor)	xx - Rated pressure measurement value  unit – may be select: Mpa, kPa, pa, bar psi, kg/cm <sup>2</sup>
		1 – 2227	1 – 420mA (2 wire)	
		2 – 2545	2 – 420mA (3 wire)	
		3 – 2745	3 – 05V	
		4 – 2755	4 – 15V	
		5 – 2955	5 – 0.54.5V	
		<b>Alloy:</b>	6 – 010V	
		1 – 3028	7 – switch out	
		2 – 3032	8 – switch & voltage out	
		3 – 3045	9 – customer special requests	

Model	Port Screw	Electrical Connection	Additional Function
PTG	Mark the real port screw.	P1 - 1 meter shielded cable P2 - large Hirschmann P3 - aerospace plug(steel) P4 - small Hirschmann P5 - aerospace plug(alloy)	A1 – 1.0%FS A2 – 0.5%FS A3 – 0.25%FS A4 – 0.1%FS V1 – 24VDC V2 – 12VDC V3 – 5VDC V4 – 12VDC D1 – LED display D2 – LCD display D3 – index display D4 – 0100% display SS–self-safety ialICT4 SI – isolation dIIBT4 DNxx- Flange & num.

### ● Ordering Example:

\* PTG S41-60MPa-M201.5-P1A2V1 -- PTG pressure transmitter: guage pressure range is 0-60MPa, housing body size is 2755, output is 4-20mA(2 wire), port screw is M20x1.5, electrical connection is shield cable, accuracy is 0.5%FS, the power supply is 24VDC.

\* PTG S41-2.5MPa-DN25-P2A3V1D1 -- PTG pressure transmitter: gauge pressure range is 0-2.5MPa, housing body size is 2755, output is 4-20mA(2 wire), port screw is DN25 flange, electrical connection is large Hirschmann, accuracy is 0.25%FS, the power supply is 24VDC, LED displays the processing values.

\* PTG A35-1.0MPa- M101-P3A2V3 -- PTG pressure transmitter: gauge pressure range is 0-1.0MPa, housing body size is 3045, output is 0.5-4.5V(3 wire), port screw is M101, electrical connection is aerospace socket(steelless), accuracy is 0.5%FS, the power supply is 5VDC.