



● Features:

- * Designed for use with all 9" (228mm) industrial thermometers to create a "sealed system"
- * Allows the easy replacement of thermometers without the need to shut down or drain the system
- * To protect the thermometer from possible exposure to the media
- * 1 year warranty



● Applications:

- * Pipes, chill water and hot water lines

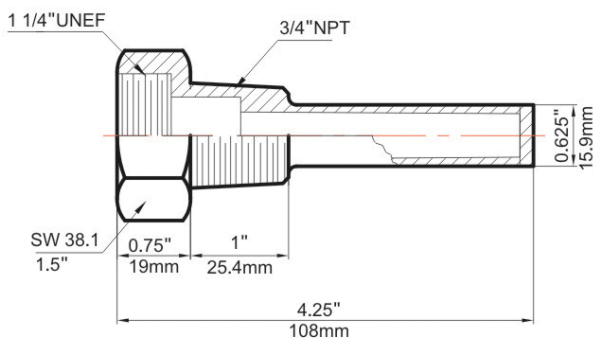
Dial Type Specifications

Instrument Connection	1 1/4" UNEF swivel
Process connection	1/2", 3/4"NPT connection standard, other thread sizes are available
Bore	0.467"(11.9mm) standard
Application	9" Industrial thermometer
Material	Brass, Lead free brass, SS 304, SS 316 Other materials are available
Length	3.5", 6" other length are available

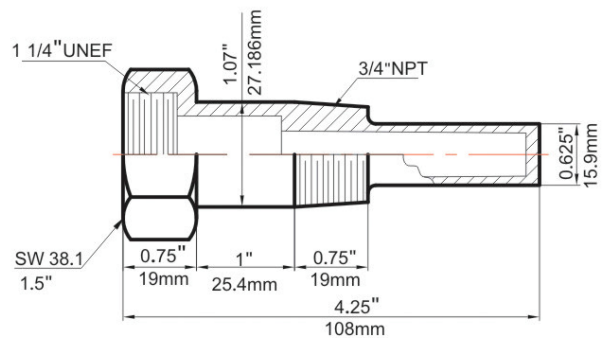
● GTW Series Product Code

Process Connection	3/4" NPT			1/2" NPT		
	Brass	Lead Free Brass	SS	Brass	Lead Free Brass	SS
3.5" Stem without Lag	TW22B1	TW22F1	TW22S1	/	/	/
3.5" Stem with Lag	TW22B2	TW22F2	TW22S2	TW23B2	TW23F2	TW23S2
6" Stem without Lag	TW22B3	TW22F3	TW22S3	/	/	/
6" Stem with Lag	TW22B4	TW22F4	TW22S4	TW23B4	TW23F4	TW23S4

● 3.5" Stem without Lag

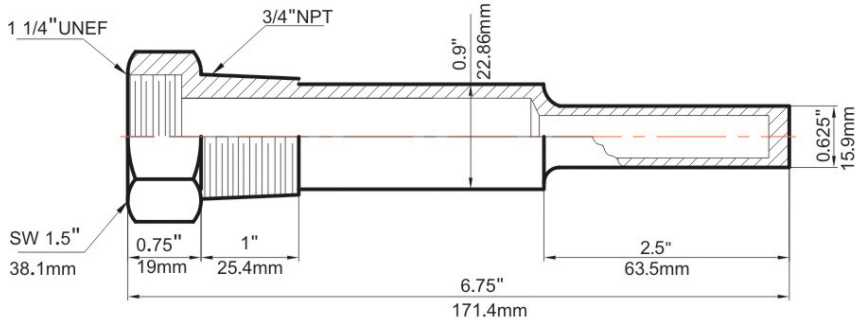


● 3.5" Stem with Lag

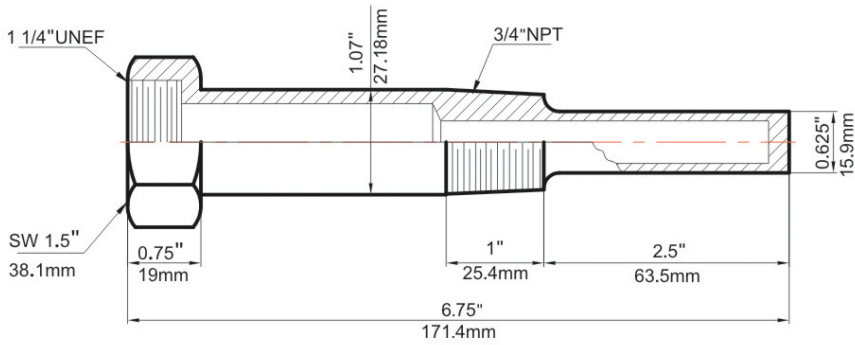




6" Stem without Lag



6" Stem with Lag



Other Thermowells



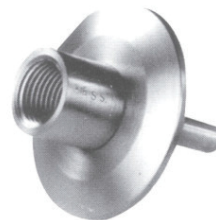
● HVAC Thermometer Thermowell



● Flanged Thermowell



● Screw-in & Weld-in Thermowell



● Sanitary Thermowell