



● Features:

- * Designed for sour gas
- * Dial: 2.5"(63mm), 4"(100mm), 6"(150mm), white aluminium dials with black and red markings
- * Case material, Stainless Steel, liquid filled case with bayonet bezel
- * Socket: Stainless Steel, Wetted parts meet all hardness requirements
- * ASME B40.100 and EN837-1 compliant
- * 5 year warranty

● Applications:

- * Suitable for corrosive environments and gaseous or liquid media that will not obstruct the pressure system

Specifications	
Dial	2.5"(63mm), 4"(100mm), 6"(150mm)
Case	SS304 or SS316, liquid filled case with bayonet bezel
Lens	Laminated safety glass
Socket	SS304 or SS316 or 316L
Connection	1/4" NPT or 1/2" NPT
Movement	Stainless Steel
Pointer	Black aluminium, adjustable for dial 4" and 6"
Welding	Laser Welding
Over-pressure Limit	25% of full scale value
Working Pressure	Maximum 80% of full scale value
Ambient/Process Temperature	Dry: -40°F to 200°F (-40°C to 93°C) Glycerin Filled: -4°F to 150°F (-20°C to 65°C)
Accuracy	±1% ANSI/ASME Grade 1A
Enclosure Rating	IP66



Option Explanation:

1. For all the following options, need special instructions in writing.

- * Socket material is Lead free brass, SS304, SS316 or 316L etc.
- * The gauge is Liquid-filled or Dry with filling hole.
- * Bottom connection with Back flange.
- * Back connection with Front flange.

2. All the product codes in following sheets don't include above option items.

PPL Series Product Code (Scales kPa, bar, kg/cm²... available)

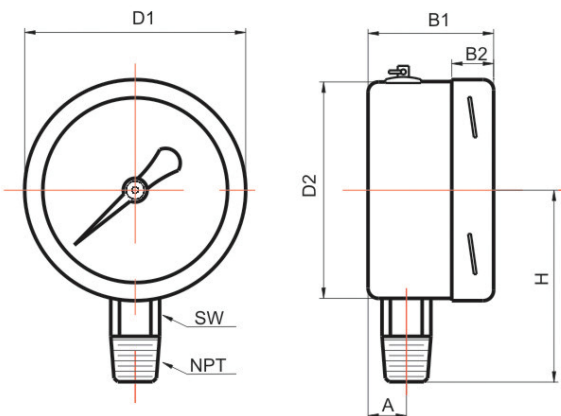
Dial Size	2.5" (63mm)						4" (100mm)	
NPT Connection	1/4" Bottom	1/4" Center Back	1/4" Lower Back	1/4" Bottom	1/4" Center Back	1/4" Lower Back	1/4" Bottom	1/4" Lower Back
Socket	Brass			SS			Brass	
30"Hg Vac	P23L3430V	P23B3430V	P23LB3430V	P33L3430V	P33B3430V	P33LB3430V	P23L5430V	P23B5430V
30"/0/15 psi	P23L34301	P23B34301	P23LB34301	P33L34301	P33B34301	P33LB34301	P23L54301	P23B54301
30"/0/30 psi	P23L34302	P23B34302	P23LB34302	P33L34302	P33B34302	P33LB34302	P23L54302	P23B54302
30"/0/60 psi	P23L34303	P23B34303	P23LB34303	P33L34303	P33B34303	P33LB34303	P23L54303	P23B54303
30"/0/100 psi	P23L34304	P23B34304	P23LB34304	P33L34304	P33B34304	P33LB34304	P23L54304	P23B54304
30"/0/160 psi	P23L34305	P23B34305	P23LB34305	P33L34305	P33B34305	P33LB34305	P23L54305	P23B54305
30"/0/200 psi	P23L34306	P23B34306	P23LB34306	P33L34306	P33B34306	P33LB34306	P23L54306	P23B54306
30"/0/300 psi	P23L34307	P23B34307	P23LB34307	P33L34307	P33B34307	P33LB34307	P23L54307	P23B54307
0/15 psi	P23L341	P23B341	P23LB341	P33L341	P33B341	P33LB341	P23L541	P23B541
0/30 psi	P23L342	P23B342	P23LB342	P33L342	P33B342	P33LB342	P23L542	P23B542
0/60 psi	P23L343	P23B343	P23LB343	P33L343	P33B343	P33LB343	P23L543	P23B543
0/100 psi	P23L344	P23B344	P23LB344	P33L344	P33B344	P33LB344	P23L544	P23B544
0/160 psi	P23L345	P23B345	P23LB345	P33L345	P33B345	P33LB345	P23L545	P23B545
0/200 psi	P23L346	P23B346	P23LB346	P33L346	P33B346	P33LB346	P23L546	P23B546
0/300 psi	P23L347	P23B347	P23LB347	P33L347	P33B347	P33LB347	P23L547	P23B547
0/400 psi	P23L348	P23B348	P23LB348	P33L348	P33B348	P33LB348	P23L548	P23B548
0/600 psi	P23L349	P23B349	P23LB349	P33L349	P33B349	P33LB349	P23L549	P23B549
0/1,000 psi	P23L3410	P23B3410	P23LB3410	P33L3410	P33B3410	P33LB3410	P23L5410	P23B5410
0/1,500 psi	P23L3411	P23B3411	P23LB3411	P33L3411	P33B3411	P33LB3411	P23L5411	P23B5411
0/2,000 psi	P23L3412	P23B3412	P23LB3412	P33L3412	P33B3412	P33LB3412	P23L5412	P23B5412
0/3,000 psi	P23L3413	P23B3413	P23LB3413	P33L3413	P33B3413	P33LB3413	P23L5413	P23B5413
0/4,000 psi	P23L3414	P23B3414	P23LB3414	P33L3414	P33B3414	P33LB3414	P23L5414	P23B5414
0/5,000 psi	P23L3415	P23B3415	P23LB3415	P33L3415	P33B3415	P33LB3415	P23L5415	P23B5415
0/6,000 psi	P23L3416	P23B3416	P23LB3416	P33L3416	P33B3416	P33LB3416	P23L5416	P23B5416
0/7,500 psi	P23L3417	P23B3417	P23LB3417	P33L3417	P33B3417	P33LB3417	P23L5417	P23B5417
0/1,0000 psi	P23L3418	P23B3418	P23LB3418	P33L3418	P33B3418	P33LB3418	P23L5418	P23B5418
0/1,5000 psi	/	/	/	P33L3419	P33B3419	P33LB3419	/	/

Dial Size	4" (100mm)					
NPT Connection	1/4" Bottom	1/4" Lower Back	1/2" Bottom	1/2" Lower Back	1/2" Bottom	1/2" Lower Back
Socket	SS		Brass		SS	
30"Hg Vac	P33L5430V	P33LB5430V	P23L5230V	P23LB5230V	P33L5230V	P33LB5230V
30"/0/15 psi	P33L54301	P33LB54301	P23L52301	P23LB52301	P33L52301	P33LB52301
30"/0/30 psi	P33L54302	P33LB54302	P23L52302	P23LB52302	P33L52302	P33LB52302
30"/0/60 psi	P33L54303	P33LB54303	P23L52303	P23LB52303	P33L52303	P33LB52303
30"/0/100 psi	P33L54304	P33LB54304	P23L52304	P23LB52304	P33L52304	P33LB52304
30"/0/160 psi	P33L54305	P33LB54305	P23L52305	P23LB52305	P33L52305	P33LB52305
30"/0/200 psi	P33L54306	P33LB54306	P23L52306	P23LB52306	P33L52306	P33LB52306
30"/0/300 psi	P33L54307	P33LB54307	P23L52307	P23LB52307	P33L52307	P33LB52307
0/15 psi	P33L541	P33LB541	P23L521	P23LB521	P33L521	P33LB521
0/30 psi	P33L542	P33LB542	P23L522	P23LB522	P33L522	P33LB522
0/60 psi	P33L543	P33LB543	P23L523	P23LB523	P33L523	P33LB523
0/100 psi	P33L544	P33LB544	P23L524	P23LB524	P33L524	P33LB524
0/160 psi	P33L545	P33LB545	P23L525	P23LB525	P33L525	P33LB525
0/200 psi	P33L546	P33LB546	P23L526	P23LB526	P33L526	P33LB526
0/300 psi	P33L547	P33LB547	P23L527	P23LB527	P33L527	P33LB527
0/400 psi	P33L548	P33LB548	P23L528	P23LB528	P33L528	P33LB528
0/600 psi	P33L549	P33LB549	P23L529	P23LB529	P33L529	P33LB529

Dial Size	4" (100mm)						
NPT Connection	1/4" Bottom	1/4" Lower Back	1/2" Bottom	1/2" Center Back	1/2" Lower Back	1/2" Bottom	1/2" Lower Back
Socket	SS		Brass			SS	
0/1,000 psi	P33L5410	P33LB5410	P23L5210	P23B5210	P23LB5210	P33L5210	P33LB5210
0/1,500 psi	P33L5411	P33LB5411	P23L5211	P23B5211	P23LB5211	P33L5211	P33LB5211
0/2,000 psi	P33L5412	P33LB5412	P23L5212	P23B5212	P23LB5212	P33L5212	P33LB5212
0/3,000 psi	P33L5413	P33LB5413	P23L5213	P23B5213	P23LB5213	P33L5213	P33LB5213
0/4,000 psi	P33L5414	P33LB5414	P23L5214	P23B5214	P23LB5214	P33L5214	P33LB5214
0/5,000 psi	P33L5415	P33LB5415	P23L5215	P23B5215	P23LB5215	P33L5215	P33LB5215
0/6,000 psi	P33L5416	P33LB5416	P23L5216	P23B5216	P23LB5216	P33L5216	P33LB5216
0/7,500 psi	P33L5417	P33LB5417	P23L5217	P23B5217	P23LB5217	P33L5217	P33LB5217
0/1,0000 psi	P33L5418	P33LB5418	P23L5218	P23B5218	P23LB5218	P33L5218	P33LB5218
0/1,5000 psi	P33L5419	P33LB5419	/	/	/	P33L5219	P33LB5219

Dial Size	6" (150mm)		6" (150mm)	
NPT Connection	1/2" Bottom	1/2" Lower Back	1/2" Bottom	1/2" Lower Back
Socket	Brass		SS	
30"Hg Vac	P23L7230V	P23LB7230V	P33L7230V	P33LB7230V
30"/0/15 psi	P23L72301	P23LB72301	P33L72301	P33LB72301
30"/0/30 psi	P23L72302	P23LB72302	P33L72302	P33LB72302
30"/0/60 psi	P23L72303	P23LB72303	P33L72303	P33LB72303
30"/0/100 psi	P23L72304	P23LB72304	P33L72304	P33LB72304
30"/0/160 psi	P23L72305	P23LB72305	P33L72305	P33LB72305
30"/0/200 psi	P23L72306	P23LB72306	P33L72306	P33LB72306
30"/0/300 psi	P23L72307	P23LB72307	P33L72307	P33LB72307
0/15 psi	P23L721	P23LB721	P33L721	P33LB721
0/30 psi	P23L722	P23LB722	P33L722	P33LB722
0/60 psi	P23L723	P23LB723	P33L723	P33LB723
0/100 psi	P23L724	P23LB724	P33L724	P33LB724
0/160 psi	P23L725	P23LB725	P33L725	P33LB725
0/200 psi	P23L726	P23LB726	P33L726	P33LB726
0/300 psi	P23L727	P23LB727	P33L727	P33LB727
0/400 psi	P23L728	P23LB728	P33L728	P33LB728
0/600 psi	P23L729	P23LB729	P33L729	P33LB729
0/1,000 psi	P23L7210	P23LB7210	P33L7210	P33LB7210
0/1,500 psi	P23L7211	P23LB7211	P33L7211	P33LB7211
0/2,000 psi	P23L7212	P23LB7212	P33L7212	P33LB7212
0/3,000 psi	P23L7213	P23LB7213	P33L7213	P33LB7213
0/4,000 psi	P23L7214	P23LB7214	P33L7214	P33LB7214
0/5,000 psi	P23L7215	P23LB7215	P33L7215	P33LB7215
0/6,000 psi	P23L7216	P23LB7216	P33L7216	P33LB7216
0/7,500 psi	P23L7217	P23LB7217	P33L7217	P33LB7217
0/1,0000 psi	P23L7218	P23LB7218	P33L7218	P33LB7218
0/1,5000 psi	/	/	P33L7219	P33LB7219

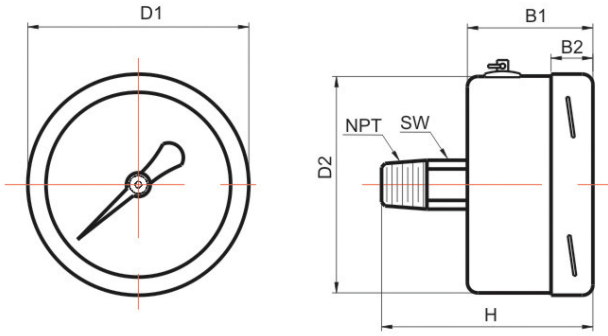
Bottom Connection



Dial Size	D1	D2	B1	B2	A	H	SW
2.5"	2.5" (63mm)	2.421" (61.5mm)	1.280" (32.5mm)	0.472" (12mm)	0.394" (10mm)	2.205" (56mm)	0.551" (14mm)
4"	4" (100mm)	3.878" (98.5mm)	1.909" (48.5mm)	0.669" (17mm)	0.630" (16mm)	3.307" (84mm)	0.866" (22mm)
6"	6" (150mm)	5.866" (149mm)	1.969" (50mm)	0.709" (18mm)	0.630" (16mm)	4.390" (111.5mm)	0.866" (22mm)

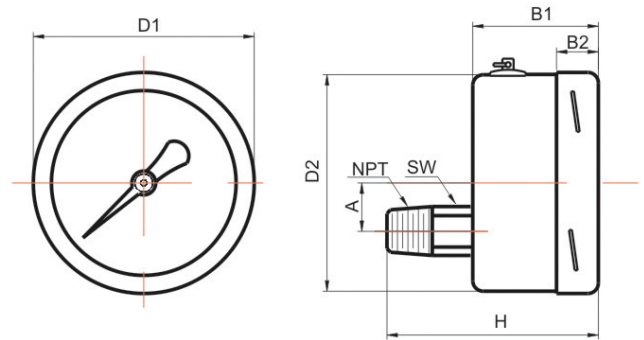


● Center Back Connection



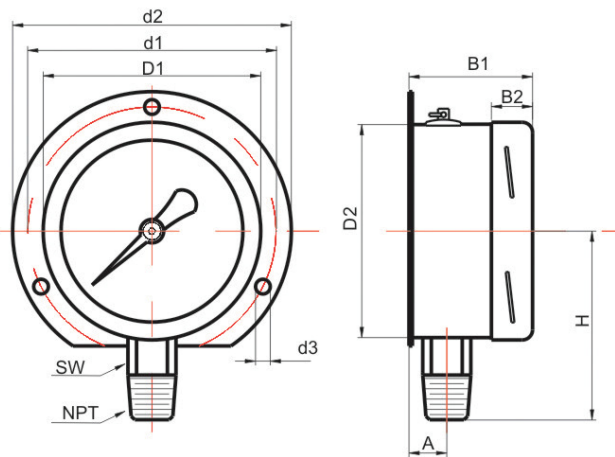
Dial Size	D1	D2	B1	B2	H	SW
2.5"	2.5" (63mm)	2.421" (61.5mm)	1.280" (32.5mm)	0.472" (12mm)	2.264" (57.5mm)	0.551" (14mm)

● Lower Back Connection



Dial Size	D1	D2	B1	B2	A	H	SW
2.5"	2.5" (63mm)	2.421" (61.5mm)	1.280" (32.5mm)	0.472" (12mm)	0.748" (19mm)	2.264" (57.5mm)	0.551" (14mm)
4"	4" (100mm)	3.878" (98.5mm)	1.909" (48.5mm)	0.669" (17mm)	1.142" (29mm)	3.189" (81mm)	0.866" (22mm)
6"	6" (150mm)	5.866" (149mm)	1.969" (50mm)	0.709" (18mm)	1.142" (29mm)	3.425" (87mm)	0.866" (22mm)

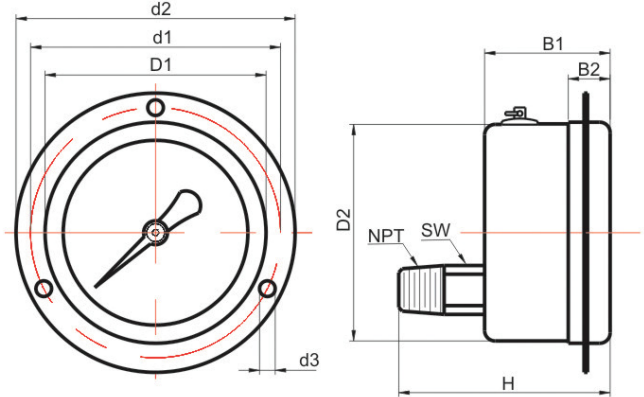
● Bottom Connection with Back Flange



Dial Size	d1	d2	d3
2.5"	2.933" (74.5mm)	3.386" (86mm)	0.150" (3.8mm)
4"	4.567" (116mm)	5.197" (132mm)	0.189" (4.8mm)
6"	6.575" (167mm)	7.283" (185mm)	0.244" (6.2mm)

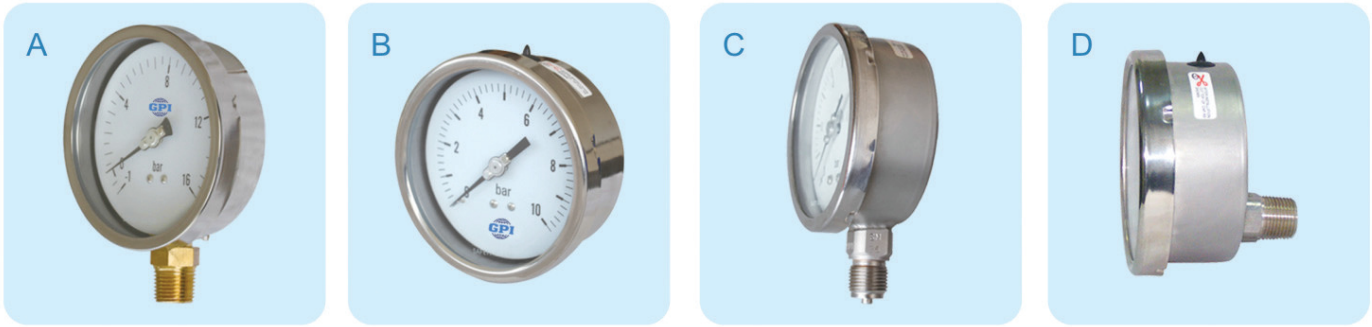
● All other sizes are same as Bottom Connection's

● Lower Back Connection with Front Flange



Dial Size	d1	d2	d3
2.5"	2.953" (75mm)	3.346" (85mm)	0.138" (3.5mm)
4"	4.646" (118mm)	5.197" (132mm)	0.189" (4.8mm)
6"	6.575" (167mm)	7.283" (185mm)	0.244" (6.2mm)

● All other sizes are same as Back Connection's



● Features:

- * Dial: 2"(50mm), 2.5"(63mm), 3"(75mm), 4"(100mm), 6"(150mm)
white aluminium dials with black and red markings
- * Case style: **Bayonet**, Stainless steel 304
- * Socket: Brass, lead free brass or stainless steel 304
- * Glycerine-filled or dry with filling hole
- * Restrictor in connection
- * ASME B40.100 and EN837-1 compliant
- * 5 year warranty

● Applications:

- * With liquid-filled case for applications with high dynamic pressure pulsations or vibration
- * Suitable for corrosive environments and gaseous or liquid media that will not obstruct the pressure system
- * Process industry: chemical / petrochemical, power stations, mining, on and offshore, environmental technology, mechanical engineering and plant construction

Specifications	
Dial	2"(50mm),2.5"(63mm),3"(75mm),4"(100mm),6"(150mm)
Case	Stainless steel 304, polished or matte (not bright)
Lens	Polycarbonate window, armored glass or safety glass, Bayonet bezel
Socket	Brass, lead free brass or stainless steel
Connection	1/8"NPT, 1/4"NPT or 1/2"NPT
Movement	Brass
Pointer	Black aluminium
Welding	Silver alloy
Over-pressure Limit	25% of full scale value
Working Pressure	Maximum 80% of full scale value
Ambient/Process Temperature	-40°F to 150°F (-40°C to 65°C)
Liquid-filled	Glycerine-filled or dry with filling hole
Accuracy	Dial 2": ±3-2-3% Grade B
	Dial 2.5", 3": ±3-2-3% Grade B (±1.6% available)
	Dial 4", 6": ±1.6% (±1.0% available)
Enclosure Rating	IP65



Option Explanation:

1. For all the following options, need special instructions in writing.

- * Socket material is Lead free brass, SS304, SS316 or 316L etc.
- * Case surface is Polished or Matte (not bright).
- * The gauge is Liquid-filled or Dry with filling hole.
- * Bottom connection with Back flange, and the flange is Removable or Fixed.
- * Back connection with Front flange, and the flange is Removable or Fixed.
- * Back connection with U-clamp.

* Socket and internals are **separated** and screwed together with the case.



* Socket and internals are **completed** and fixed with case by screws on the back.



2. All the product codes in following sheets don't include above option items.

PEP Series Product Code (Scales kPa, bar, kg/cm²... available)

Dial Size	2" (50mm)			
	1/8" Bottom	1/8" Center Back	1/8" Bottom	1/8" Center Back
Socket	Brass		SS	
30"Hg Vac	P22L2830V	P22B2830V	P32L2830V	P32B2830V
30"/0/15 psi	P22L28301	P22B28301	P32L28301	P32B28301
30"/0/30 psi	P22L28302	P22B28302	P32L28302	P32B28302
30"/0/60 psi	P22L28303	P22B28303	P32L28303	P32B28303
30"/0/100 psi	P22L28304	P22B28304	P32L28304	P32B28304
30"/0/160 psi	P22L28305	P22B28305	P32L28305	P32B28305
30"/0/200 psi	P22L28306	P22B28306	P32L28306	P32B28306
30"/0/300 psi	P22L28307	P22B28307	P32L28307	P32B28307
0/15 psi	P22L281	P22B281	P32L281	P32B281
0/30 psi	P22L282	P22B282	P32L282	P32B282
0/60 psi	P22L283	P22B283	P32L283	P32B283
0/100 psi	P22L284	P22B284	P32L284	P32B284
0/160 psi	P22L285	P22B285	P32L285	P32B285
0/200 psi	P22L286	P22B286	P32L286	P32B286
0/300 psi	P22L287	P22B287	P32L287	P32B287
0/400 psi	P22L288	P22B288	P32L288	P32B288
0/600 psi	P22L289	P22B289	P32L289	P32B289
0/1,000 psi	P22L2810	P22B2810	P32L2810	P32B2810
0/1,500 psi	P22L2811	P22B2811	P32L2811	P32B2811
0/2,000 psi	P22L2812	P22B2812	P32L2812	P32B2812
0/3,000 psi	P22L2813	P22B2813	P32L2813	P32B2813
0/4,000 psi	P22L2814	P22B2814	P32L2814	P32B2814
0/5,000 psi	P22L2815	P22B2815	P32L2815	P32B2815
0/6,000 psi	P22L2816	P22B2816	P32L2816	P32B2816
0/7,500 psi	P22L2817	P22B2817	P32L2817	P32B2817
0/1,0000 psi	/	/	P32L2818	P32B2818



Dial Size	2" (50mm)				2.5" (63mm)			
	1/4" Bottom		1/4" Center Back		1/4" Bottom		1/4" Center Back	
Socket	Brass		SS		Brass		SS	
30"Hg Vac	P22L2430V	P22B2430V	P32L2430V	P32B2430V	P22L3430V	P22B3430V	P32L3430V	P32B3430V
30"/0/15 psi	P22L24301	P22B24301	P32L24301	P32B24301	P22L34301	P22B34301	P32L34301	P32B34301
30"/0/30 psi	P22L24302	P22B24302	P32L24302	P32B24302	P22L34302	P22B34302	P32L34302	P32B34302
30"/0/60 psi	P22L24303	P22B24303	P32L24303	P32B24303	P22L34303	P22B34303	P32L34303	P32B34303
30"/0/100 psi	P22L24304	P22B24304	P32L24304	P32B24304	P22L34304	P22B34304	P32L34304	P32B34304
30"/0/160 psi	P22L24305	P22B24305	P32L24305	P32B24305	P22L34305	P22B34305	P32L34305	P32B34305
30"/0/200 psi	P22L24306	P22B24306	P32L24306	P32B24306	P22L34306	P22B34306	P32L34306	P32B34306
30"/0/300 psi	P22L24307	P22B24307	P32L24307	P32B24307	P22L34307	P22B34307	P32L34307	P32B34307
0/15 psi	P22L241	P22B241	P32L241	P32B241	P22L341	P22B341	P32L341	P32B341
0/30 psi	P22L242	P22B242	P32L242	P32B242	P22L342	P22B342	P32L342	P32B342
0/60 psi	P22L243	P22B243	P32L243	P32B243	P22L343	P22B343	P32L343	P32B343
0/100 psi	P22L244	P22B244	P32L244	P32B244	P22L344	P22B344	P32L344	P32B344
0/160 psi	P22L245	P22B245	P32L245	P32B245	P22L345	P22B345	P32L345	P32B345
0/200 psi	P22L246	P22B246	P32L246	P32B246	P22L346	P22B346	P32L346	P32B346
0/300 psi	P22L247	P22B247	P32L247	P32B247	P22L347	P22B347	P32L347	P32B347
0/400 psi	P22L248	P22B248	P32L248	P32B248	P22L348	P22B348	P32L348	P32B348
0/600 psi	P22L249	P22B249	P32L249	P32B249	P22L349	P22B349	P32L349	P32B349
0/1,000 psi	P22L2410	P22B2410	P32L2410	P32B2410	P22L3410	P22B3410	P32L3410	P32B3410
0/1,500 psi	P22L2411	P22B2411	P32L2411	P32B2411	P22L3411	P22B3411	P32L3411	P32B3411
0/2,000 psi	P22L2412	P22B2412	P32L2412	P32B2412	P22L3412	P22B3412	P32L3412	P32B3412
0/3,000 psi	P22L2413	P22B2413	P32L2413	P32B2413	P22L3413	P22B3413	P32L3413	P32B3413
0/4,000 psi	P22L2414	P22B2414	P32L2414	P32B2414	P22L3414	P22B3414	P32L3414	P32B3414
0/5,000 psi	P22L2415	P22B2415	P32L2415	P32B2415	P22L3415	P22B3415	P32L3415	P32B3415
0/6,000 psi	P22L2416	P22B2416	P32L2416	P32B2416	P22L3416	P22B3416	P32L3416	P32B3416
0/7,500 psi	P22L2417	P22B2417	P32L2417	P32B2417	P22L3417	P22B3417	P32L3417	P32B3417
0/1,0000 psi	P22L2418	P22B2418	P32L2418	P32B2418	P22L3418	P22B3418	P32L3418	P32B3418
0/1,5000 psi	/	/	/	/	/	/	P32L3419	P32B3419

Dial Size	3" (75mm)				4" (100mm)					
	1/4" Bottom		1/4" Center Back		1/4" Bottom		1/4" Center Back		1/4" Lower Back	
Socket	Brass		SS		Brass			SS		
30"Hg Vac	P22L4430V	P22B4430V	P32L4430V	P32B4430V	P22L5430V	P22B5430V	P22LB5430V	P32L5430V	P32B5430V	P32LB5430V
30"/0/15 psi	P22L44301	P22B44301	P32L44301	P32B44301	P22L54301V	P22B54301	P22LB54301	P32L54301	P32B54301	P32LB54301
30"/0/30 psi	P22L44302	P22B44302	P32L44302	P32B44302	P22L54302V	P22B54302	P22LB54302	P32L54302	P32B54302	P32LB54302
30"/0/60 psi	P22L44303	P22B44303	P32L44303	P32B44303	P22L54303V	P22B54303	P22LB54303	P32L54303	P32B54303	P32LB54303
30"/0/100 psi	P22L44304	P22B44304	P32L44304	P32B44304	P22L54304V	P22B54304	P22LB54304	P32L54304	P32B54304	P32LB54304
30"/0/160 psi	P22L44305	P22B44305	P32L44305	P32B44305	P22L54305V	P22B54305	P22LB54305	P32L54305	P32B54305	P32LB54305
30"/0/200 psi	P22L44306	P22B44306	P32L44306	P32B44306	P22L54306V	P22B54306	P22LB54306	P32L54306	P32B54306	P32LB54306
30"/0/300 psi	P22L44307	P22B44307	P32L44307	P32B44307	P22L54307V	P22B54307	P22LB54307	P32L54307	P32B54307	P32LB54307
0/15 psi	P22L441	P22B441	P32L441	P32B441	P22L541	P22B541	P22LB541	P32L541	P32B541	P32LB541
0/30 psi	P22L442	P22B442	P32L442	P32B442	P22L542	P22B542	P22LB542	P32L542	P32B542	P32LB542
0/60 psi	P22L443	P22B443	P32L443	P32B443	P22L543	P22B543	P22LB543	P32L543	P32B543	P32LB543
0/100 psi	P22L444	P22B444	P32L444	P32B444	P22L544	P22B544	P22LB544	P32L544	P32B544	P32LB544
0/160 psi	P22L445	P22B445	P32L445	P32B445	P22L545	P22B545	P22LB545	P32L545	P32B545	P32LB545
0/200 psi	P22L446	P22B446	P32L446	P32B446	P22L546	P22B546	P22LB546	P32L546	P32B546	P32LB546
0/300 psi	P22L447	P22B447	P32L447	P32B447	P22L547	P22B547	P22LB547	P32L547	P32B547	P32LB547
0/400 psi	P22L448	P22B448	P32L448	P32B448	P22L548	P22B548	P22LB548	P32L548	P32B548	P32LB548
0/600 psi	P22L449	P22B449	P32L449	P32B449	P22L549	P22B549	P22LB549	P32L549	P32B549	P32LB549
0/1,000 psi	P22L4410	P22B3510	P32L4410	P32B4410	P22L5410	P22B3510	P22LB3510	P32L5410	P32B5410	P32LB3510
0/1,500 psi	P22L4411	P22B3511	P32L4411	P32B4411	P22L5411	P22B3511	P22LB3511	P32L5411	P32B5411	P32LB3511
0/2,000 psi	P22L4412	P22B3512	P32L4412	P32B4412	P22L5412	P22B3512	P22LB3512	P32L5412	P32B5412	P32LB3512
0/3,000 psi	P22L4413	P22B3513	P32L4413	P32B4413	P22L5413	P22B3513	P22LB3513	P32L5413	P32B5413	P32LB3513
0/4,000 psi	P22L4414	P22B3514	P32L4414	P32B4414	P22L5414	P22B3514	P22LB3514	P32L5414	P32B5414	P32LB3514
0/5,000 psi	P22L4415	P22B3515	P32L4415	P32B4415	P22L5415	P22B3515	P22LB3515	P32L5415	P32B5415	P32LB3515
0/6,000 psi	P22L4416	P22B3516	P32L4416	P32B4416	P22L5416	P22B3516	P22LB3516	P32L5416	P32B5416	P32LB3516
0/7,500 psi	P22L4417	P22B3517	P32L4417	P32B4417	P22L5417	P22B3517	P22LB3517	P32L5417	P32B5417	P32LB3517
0/1,0000 psi	P22L4418	P22B3518	P32L4418	P32B4418	P22L5418	P22B3518	P22LB3518	P32L5418	P32B5418	P32LB3518
0/1,5000 psi	/	/	P32L4419	P32B4419	/	/	/	P32L5419	P32B5419	P32LB3519

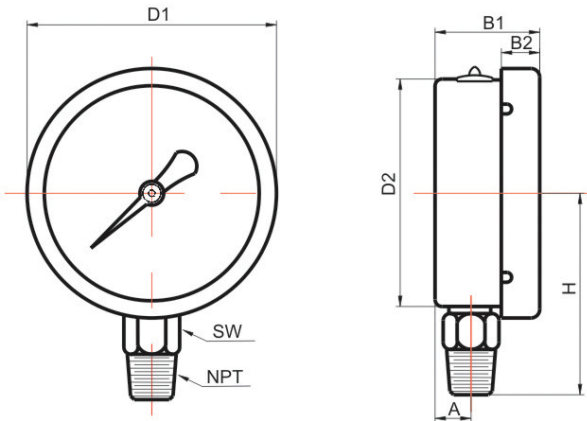


Liquid Filled Pressure Gauge (Bayonet Style)

PLB Series

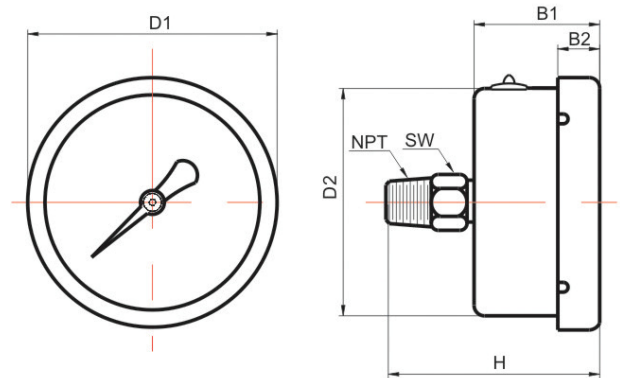
Dial Size	4" (100mm)						6" (150mm)	
	1/2" Bottom	1/2" Center Back	1/2" Lower Back	1/2" Bottom	1/2" Center Back	1/2" Lower Back	1/2" Bottom	1/2" Bottom
NPT Connection	Brass			SS			Brass	SS
30"Hg Vac	P22L5230V	P22B5230V	P22LB5230V	P32L5230V	P32B5230V	P32LB5230V	P22L7230V	P32L7230V
30"/0/15 psi	P22L52301	P22B52301	P22LB52301	P32L52301	P32B52301	P32LB52301	P22L72301	P32L72301
30"/0/30 psi	P22L52302	P22B52302	P22LB52302	P32L52302	P32B52302	P32LB52302	P22L72302	P32L72302
30"/0/60 psi	P22L52303	P22B52303	P22LB52303	P32L52303	P32B52303	P32LB52303	P22L72303	P32L72303
30"/0/100 psi	P22L52304	P22B52304	P22LB52304	P32L52304	P32B52304	P32LB52304	P22L72304	P32L72304
30"/0/160 psi	P22L52305	P22B52305	P22LB52305	P32L52305	P32B52305	P32LB52305	P22L72305	P32L72305
30"/0/200 psi	P22L52306	P22B52306	P22LB52306	P32L52306	P32B52306	P32LB52306	P22L72306	P32L72306
30"/0/300 psi	P22L52307	P22B52307	P22LB52307	P32L52307	P32B52307	P32LB52307	P22L72307	P32L72307
0/15 psi	P22L521	P22B521	P22LB521	P32L521	P32B521	P32LB521	P22L721	P32L721
0/30 psi	P22L522	P22B522	P22LB522	P32L522	P32B522	P32LB522	P22L722	P32L722
0/60 psi	P22L523	P22B523	P22LB523	P32L523	P32B523	P32LB523	P22L723	P32L723
0/100 psi	P22L524	P22B524	P22LB524	P32L524	P32B524	P32LB524	P22L724	P32L724
0/160 psi	P22L525	P22B525	P22LB525	P32L525	P32B525	P32LB525	P22L725	P32L725
0/200 psi	P22L526	P22B526	P22LB526	P32L526	P32B526	P32LB526	P22L726	P32L726
0/300 psi	P22L527	P22B527	P22LB527	P32L527	P32B527	P32LB527	P22L727	P32L727
0/400 psi	P22L528	P22B528	P22LB528	P32L528	P32B528	P32LB528	P22L728	P32L728
0/600 psi	P22L529	P22B529	P22LB529	P32L529	P32B529	P32LB529	P22L729	P32L729
0/1,000 psi	P22L5210	P22B5210	P22LB5210	P32L5210	P32B5210	P32LB5210	P22L7210	P32L7210
0/1,500 psi	P22L5211	P22B5211	P22LB5211	P32L5211	P32B5211	P32LB5211	P22L7211	P32L7211
0/2,000 psi	P22L5212	P22B5212	P22LB5212	P32L5212	P32B5212	P32LB5212	P22L7212	P32L7212
0/3,000 psi	P22L5213	P22B5213	P22LB5213	P32L5213	P32B5213	P32LB5213	P22L7213	P32L7213
0/4,000 psi	P22L5214	P22B5214	P22LB5214	P32L5214	P32B5214	P32LB5214	P22L7214	P32L7214
0/5,000 psi	P22L5215	P22B5215	P22LB5215	P32L5215	P32B5215	P32LB5215	P22L7215	P32L7215
0/6,000 psi	P22L5216	P22B5216	P22LB5216	P32L5216	P32B5216	P32LB5216	P22L7216	P32L7216
0/7,500 psi	P22L5217	P22B5217	P22LB5217	P32L5217	P32B5217	P32LB5217	P22L7217	P32L7217
0/1,0000 psi	P22L5218	P22B5218	P22LB5218	P32L5218	P32B5218	P32LB5218	P22L7218	P32L7218
0/1,5000 psi	/	/	/	P32L5219	P32B5219	P32LB5219	/	P32L7219

Bottom Connection

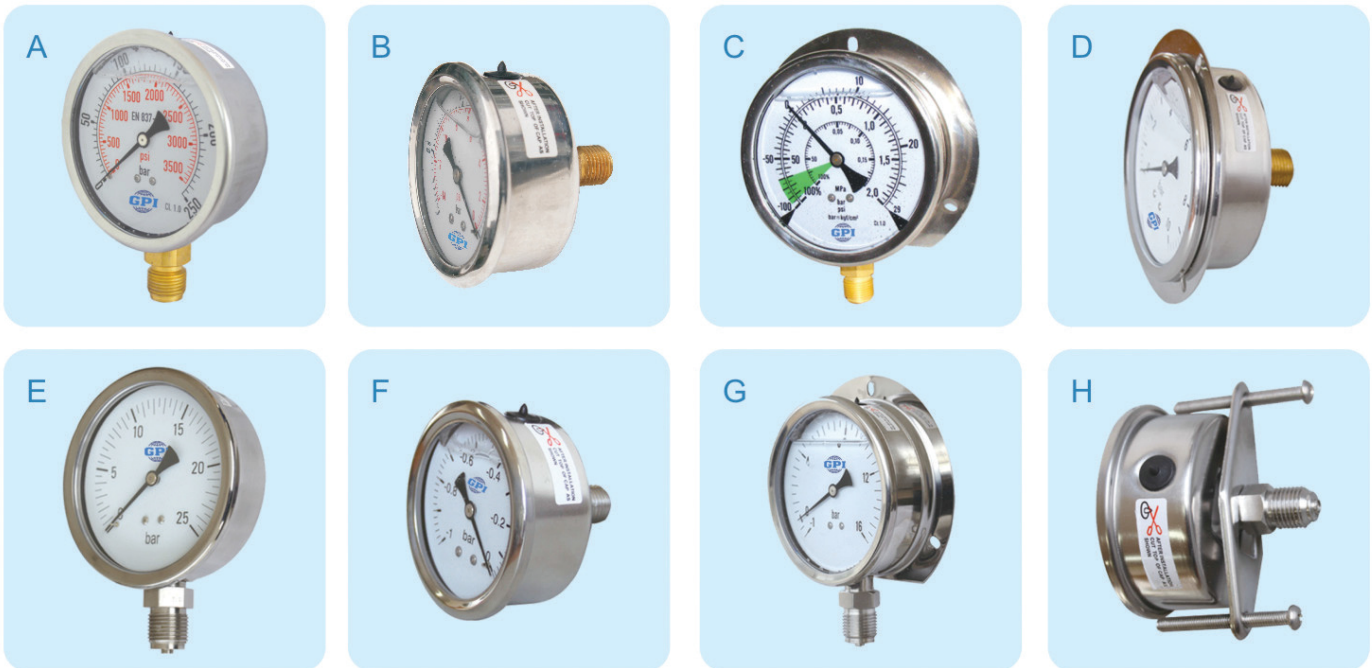


Dial Size	D1	D2	B1	B2	A	H	SW
2"	2.283" (58mm)	2.008" (51mm)	1.122" (28.5mm)	0.354" (9mm)	0.394" (10mm)	2.047" (52mm)	0.551" (14mm)
2.5"	2.717" (69mm)	2.441" (62mm)	1.220" (31mm)	0.413" (10.5mm)	0.394" (10mm)	2.244" (57mm)	0.551" (14mm)
3"	3.543" (90mm)	3.150" (80mm)	1.378" (35mm)	0.551" (14mm)	0.433" (11mm)	2.638" (67mm)	0.551" (14mm)
4"	4.291" (109mm)	3.878" (98.5mm)	1.535" (39mm)	0.571" (14.5mm)	0.512" (13mm)	3.189" (81mm)	0.866" (22mm)
6"	6.339" (161mm)	5.846" (148.5mm)	1.969" (50mm)	0.689" (17.5mm)	0.591" (15mm)	4.291" (109mm)	0.866" (22mm)

Back Connection



Dial Size	D1	D2	B1	B2	H	SW
2"	2.283" (58mm)	2.008" (51mm)	1.122" (28.5mm)	0.354" (9mm)	2.146" (54.5mm)	0.551" (14mm)
2.5"	2.717" (69mm)	2.441" (62mm)	1.220" (31mm)	0.413" (10.5mm)	2.244" (57mm)	0.551" (14mm)
3"	3.543" (90mm)	3.150" (80mm)	1.378" (35mm)	0.551" (14mm)	2.520" (64mm)	0.551" (14mm)
4"	4.291" (109mm)	3.878" (98.5mm)	1.535" (39mm)	0.571" (14.5mm)	2.756" (70mm)	0.866" (22mm)
6"	6.339" (161mm)	5.846" (148.5mm)	1.969" (50mm)	0.689" (17.5mm)	3.465" (88mm)	0.866" (22mm)



● Features:

- * Dial: 1.5"(40mm), 2"(50mm), 2.5"(63mm), 3"(75mm), 4"(100mm)
white aluminium dials with black and red markings
- * Case style: **Crimped**, Stainless steel 304
- * Socket: Brass, lead free brass or stainless steel 304
- * Glycerine-filled or dry with filling hole
- * Restrictor in connection
- * ASME B40.100 and EN837-1 compliant
- * 5 year warranty

● Applications:

- * Intended for adverse service conditions where pulsating or vibration exists
- * Process industry
- * Suitable for gaseous or liquid media that will not obstruct the pressure system
- * Ideal for pumps, compressors, hydraulic presses

Specifications	
Dial	1.5"(40mm), 2"(50mm), 2.5"(63mm), 3"(75mm), 4"(100mm)
Case	Stainless steel 304, polished or matte (not bright)
Lens	Polycarbonate window, armored glass or safety glass, Crimp-On ring
Socket	Brass, lead free brass or stainless steel
Connection	1/8"NPT, 1/4"NPT or 1/2"NPT
Movement	Brass
Pointer	Black aluminium
Welding	Silver alloy
Over-pressure Limit	25% of full scale value
Working Pressure	Maximum 80% of full scale value
Ambient/Process Temperature	-40°F to 150°F (-40°C to 65°C)



Specifications	
Liquid-filled	Glycerine-filled or dry with filling hole
Accuracy	Dial 1.5", 2": ±3-2-3% Grade B
	Dial 2.5", 3": ±3-2-3% Grade B (±1.6% available)
	Dial 4": ±1.6% (±1.0% available)
Enclosure Rating	IP65

Option Explanation:

1. For all the following options, need special instructions in writing.

- * Socket material is Lead free brass, SS304, SS316 or 316L etc.
- * Case surface is Polished or Matte (not bright).
- * The gauge is Liquid-filled or Dry with filling hole.
- * Bottom connection with Back flange, and the flange is Removable or Fixed.
- * Back connection with Front flange, and the flange is Removable or Fixed.
- * Back connection with U-clamp.

* Socket and internals are **separated** and screwed together with the case.



* Socket and internals are **completed** and fixed with case by screws on the back.



2. All the product codes in following sheets don't include above option items.

PLC Series Product Code (Scales kPa, bar, kg/cm²... available)

Dial Size	1.5" (40mm)				2" (50mm)			
	1/8" Bottom	1/8" Center Back	1/8" Bottom	1/8" Center Back	1/8" Bottom	1/8" Center Back	1/8" Bottom	1/8" Center Back
Socket	Brass		SS		Brass		SS	
30"Hg Vac	P21L1830V	P21B1830V	P31L1830V	P31B1830V	P21L2830V	P21B2830V	P31L2830V	P31B2830V
30"/0/15 psi	P21L18301	P21B18301	P31L18301	P31B18301	P21L28301	P21B28301	P31L28301	P31B28301
30"/0/30 psi	P21L18302	P21B18302	P31L18302	P31B18302	P21L28302	P21B28302	P31L28302	P31B28302
30"/0/60 psi	P21L18303	P21B18303	P31L18303	P31B18303	P21L28303	P21B28303	P31L28303	P31B28303
30"/0/100 psi	P21L18304	P21B18304	P31L18304	P31B18304	P21L28304	P21B28304	P31L28304	P31B28304
30"/0/160 psi	P21L18305	P21B18305	P31L18305	P31B18305	P21L28305	P21B28305	P31L28305	P31B28305
30"/0/200 psi	P21L18306	P21B18306	P31L18306	P31B18306	P21L28306	P21B28306	P31L28306	P31B28306
30"/0/300 psi	P21L18307	P21B18307	P31L18307	P31B18307	P21L28307	P21B28307	P31L28307	P31B28307
0/15 psi	P21L181	P21B181	P31L181	P31B181	P21L281	P21B281	P31L281	P31B281
0/30 psi	P21L182	P21B182	P31L182	P31B182	P21L282	P21B282	P31L282	P31B282
0/60 psi	P21L183	P21B183	P31L183	P31B183	P21L283	P21B283	P31L283	P31B283
0/100 psi	P21L184	P21B184	P31L184	P31B184	P21L284	P21B284	P31L284	P31B284
0/160 psi	P21L185	P21B185	P31L185	P31B185	P21L285	P21B285	P31L285	P31B285
0/200 psi	P21L186	P21B186	P31L186	P31B186	P21L286	P21B286	P31L286	P31B286
0/300 psi	P21L187	P21B187	P31L187	P31B187	P21L287	P21B287	P31L287	P31B287
0/400 psi	P21L188	P21B188	P31L188	P31B188	P21L288	P21B288	P31L288	P31B288
0/600 psi	P21L189	P21B189	P31L189	P31B189	P21L289	P21B289	P31L289	P31B289
0/1,000 psi	P21L1810	P21B1810	P31L1810	P31B1810	P21L2810	P21B2810	P31L2810	P31B2810
0/1,500 psi	/	/	/	/	P21L2811	P21B2811	P31L2811	P31B2811
0/2,000 psi	/	/	/	/	P21L2812	P21B2812	P31L2812	P31B2812
0/3,000 psi	P21L1813	P21B1813	P31L1813	P31B1813	P21L2813	P21B2813	P31L2813	P31B2813
0/4,000 psi	/	/	/	/	P21L2814	P21B2814	P31L2814	P31B2814
0/5,000 psi	P21L1815	P21B1815	P31L1815	P31B1815	P21L2815	P21B2815	P31L2815	P31B2815
0/6,000 psi	/	/	/	/	P21L2816	P21B2816	P31L2816	P31B2816
0/7,500 psi	/	/	/	/	P21L2817	P21B2817	P31L2817	P31B2817
0/1,0000 psi	/	/	/	/	/	/	P31L2818	P31B2818



Dial Size	2" (50mm)				2.5" (63mm)			
NPT Connection	1/4" Bottom	1/4" Center Back	1/4" Bottom	1/4" Center Back	1/4" Bottom	1/4" Center Back	1/4" Bottom	1/4" Center Back
Socket	Brass		SS		Brass		SS	
30"Hg Vac	P21L2430V	P21B2430V	P31L2430V	P31B2430V	P21L3830V	P21B3830V	P31L3430V	P31B3430V
30"/0/15 psi	P21L24301	P21B24301	P31L24301	P31B24301	P21L38301V	P21B38301	P31L34301V	P31B34301
30"/0/30 psi	P21L24302	P21B24302	P31L24302	P31B24302	P21L38302V	P21B38302	P31L34302V	P31B34302
30"/0/60 psi	P21L24303	P21B24303	P31L24303	P31B24303	P21L38303V	P21B38303	P31L34303V	P31B34303
30"/0/100 psi	P21L24304	P21B24304	P31L24304	P31B24304	P21L38304V	P21B38304	P31L34304V	P31B34304
30"/0/160 psi	P21L24305	P21B24305	P31L24305	P31B24305	P21L38305V	P21B38305	P31L34305V	P31B34305
30"/0/200 psi	P21L24306	P21B24306	P31L24306	P31B24306	P21L38306V	P21B38306	P31L34306V	P31B34306
30"/0/300 psi	P21L24307	P21B24307	P31L24307	P31B24307	P21L38307V	P21B38307	P31L34307V	P31B34307
0/15 psi	P21L241	P21B241	P31L241	P31B241	P21L381	P21B381	P31L341	P31B341
0/30 psi	P21L242	P21B242	P31L242	P31B242	P21L382	P21B382	P31L342	P31B342
0/60 psi	P21L243	P21B243	P31L243	P31B243	P21L383	P21B383	P31L343	P31B343
0/100 psi	P21L244	P21B244	P31L244	P31B244	P21L384	P21B384	P31L344	P31B344
0/160 psi	P21L245	P21B245	P31L245	P31B245	P21L385	P21B385	P31L345	P31B345
0/200 psi	P21L246	P21B246	P31L246	P31B246	P21L386	P21B386	P31L346	P31B346
0/300 psi	P21L247	P21B247	P31L247	P31B247	P21L387	P21B387	P31L347	P31B347
0/400 psi	P21L248	P21B248	P31L248	P31B248	P21L388	P21B388	P31L348	P31B348
0/600 psi	P21L249	P21B249	P31L249	P31B249	P21L389	P21B389	P31L349	P31B349
0/1,000 psi	P21L2410	P21B2410	P31L2410	P31B2410	P21L3810	P21B3810	P31L3410	P31B3410
0/1,500 psi	P21L2411	P21B2411	P31L2411	P31B2411	P21L3811	P21B3811	P31L3411	P31B3411
0/2,000 psi	P21L2412	P21B2412	P31L2412	P31B2412	P21L3812	P21B3812	P31L3412	P31B3412
0/3,000 psi	P21L2413	P21B2413	P31L2413	P31B2413	P21L3813	P21B3813	P31L3413	P31B3413
0/4,000 psi	P21L2414	P21B2414	P31L2414	P31B2414	P21L3814	P21B3814	P31L3414	P31B3414
0/5,000 psi	P21L2415	P21B2415	P31L2415	P31B2415	P21L3815	P21B3815	P31L3415	P31B3415
0/6,000 psi	P21L2416	P21B2416	P31L2416	P31B2416	P21L3816	P21B3816	P31L3416	P31B3416
0/7,500 psi	P21L2417	P21B2417	P31L2417	P31B2417	P21L3817	P21B3817	P31L3417	P31B3417
0/1,0000 psi	P21L2418	P21B2418	P31L2418	P31B2418	P21L3818	P21B3818	P31L3418	P31B3418
0/1,5000 psi	/	/	P31L2419	P31B2419	/	/	P31L3419	P31B3419

Dial Size	3" (75mm)			
NPT Connection	1/4" Bottom	1/4" Center Back	1/4" Bottom	1/4" Center Back
Socket	Brass		SS	
30"Hg Vac	P21L4430V	P21B4430V	P31L4430V	P31B4430V
30"/0/15 psi	P21L44301V	P21B44301	P31L44301V	P31B44301
30"/0/30 psi	P21L44302V	P21B44302	P31L44302V	P31B44302
30"/0/60 psi	P21L44303V	P21B44303	P31L44303V	P31B44303
30"/0/100 psi	P21L44304V	P21B44304	P31L44304V	P31B44304
30"/0/160 psi	P21L44305V	P21B44305	P31L44305V	P31B44305
30"/0/200 psi	P21L44306V	P21B44306	P31L44306V	P31B44306
30"/0/300 psi	P21L44307V	P21B44307	P31L44307V	P31B44307
0/15 psi	P21L441	P21B441	P31L441	P31B441
0/30 psi	P21L442	P21B442	P31L442	P31B442
0/60 psi	P21L443	P21B443	P31L443	P31B443
0/100 psi	P21L444	P21B444	P31L444	P31B444
0/160 psi	P21L445	P21B445	P31L445	P31B445
0/200 psi	P21L446	P21B446	P31L446	P31B446
0/300 psi	P21L447	P21B447	P31L447	P31B447
0/400 psi	P21L448	P21B448	P31L448	P31B448
0/600 psi	P21L449	P21B449	P31L449	P31B449
0/1,000 psi	P21L4410	P21B3510	P31L4410	P31B4410
0/1,500 psi	P21L4411	P21B3511	P31L4411	P31B4411
0/2,000 psi	P21L4412	P21B3512	P31L4412	P31B4412
0/3,000 psi	P21L4413	P21B3513	P31L4413	P31B4413
0/4,000 psi	P21L4414	P21B3514	P31L4414	P31B4414
0/5,000 psi	P21L4415	P21B3515	P31L4415	P31B4415
0/6,000 psi	P21L4416	P21B3516	P31L4416	P31B4416
0/7,500 psi	P21L4417	P21B3517	P31L4417	P31B4417
0/1,0000 psi	P21L4418	P21B3518	P31L4418	P31B4418
0/1,5000 psi	/	/	P31L4419	P31B4419



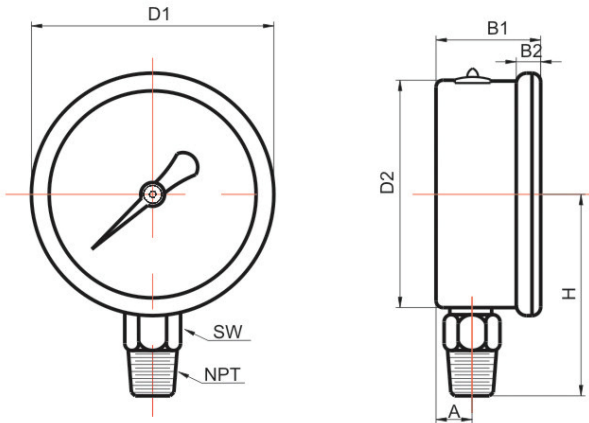
Liquid Filled Pressure Gauge (Crimped Style)

PLC Series

Dial Size	4" (100mm)					
NPT Connection	1/4" Bottom	1/4" Center Back	1/4" Lower Back	1/4" Bottom	1/4" Center Back	1/4" Lower Back
Socket	Brass			SS		
30"Hg Vac	P21L5430V	P21B5430V	P21LB5430V	P31L5430V	P31B5430V	P31LB5430V
30"/0/15 psi	P21L54301V	P21B54301	P21LB54301	P31L54301V	P31B54301	P31LB54301
30"/0/30 psi	P21L54302V	P21B54302	P21LB54302	P31L54302V	P31B54302	P31LB54302
30"/0/60 psi	P21L54303V	P21B54303	P21LB54303	P31L54303V	P31B54303	P31LB54303
30"/0/100 psi	P21L54304V	P21B54304	P21LB54304	P31L54304V	P31B54304	P31LB54304
30"/0/160 psi	P21L54305V	P21B54305	P21LB54305	P31L54305V	P31B54305	P31LB54305
30"/0/200 psi	P21L54306V	P21B54306	P21LB54306	P31L54306V	P31B54306	P31LB54306
30"/0/300 psi	P21L54307V	P21B54307	P21LB54307	P31L54307V	P31B54307	P31LB54307
0/15 psi	P21L541	P21B541	P21LB541	P31L541	P31B541	P31LB541
0/30 psi	P21L542	P21B542	P21LB542	P31L542	P31B542	P31LB542
0/60 psi	P21L543	P21B543	P21LB543	P31L543	P31B543	P31LB543
0/100 psi	P21L544	P21B544	P21LB544	P31L544	P31B544	P31LB544
0/160 psi	P21L545	P21B545	P21LB545	P31L545	P31B545	P31LB545
0/200 psi	P21L546	P21B546	P21LB546	P31L546	P31B546	P31LB546
0/300 psi	P21L547	P21B547	P21LB547	P31L547	P31B547	P31LB547
0/400 psi	P21L548	P21B548	P21LB548	P31L548	P31B548	P31LB548
0/600 psi	P21L549	P21B549	P21LB549	P31L549	P31B549	P31LB549
0/1,000 psi	P21L5410	P21B3510	P21LB3510	P31L5410	P31B5410	P31LB3510
0/1,500 psi	P21L5411	P21B3511	P21LB3511	P31L5411	P31B5411	P31LB3511
0/2,000 psi	P21L5412	P21B3512	P21LB3512	P31L5412	P31B5412	P31LB3512
0/3,000 psi	P21L5413	P21B3513	P21LB3513	P31L5413	P31B5413	P31LB3513
0/4,000 psi	P21L5414	P21B3514	P21LB3514	P31L5414	P31B5414	P31LB3514
0/5,000 psi	P21L5415	P21B3515	P21LB3515	P31L5415	P31B5415	P31LB3515
0/6,000 psi	P21L5416	P21B3516	P21LB3516	P31L5416	P31B5416	P31LB3516
0/7,500 psi	P21L5417	P21B3517	P21LB3517	P31L5417	P31B5417	P31LB3517
0/1,0000 psi	P21L5418	P21B3518	P21LB3518	P31L5418	P31B5418	P31LB3518
0/1,5000 psi	/	/	/	P31L5419	P31B5419	P31LB3519

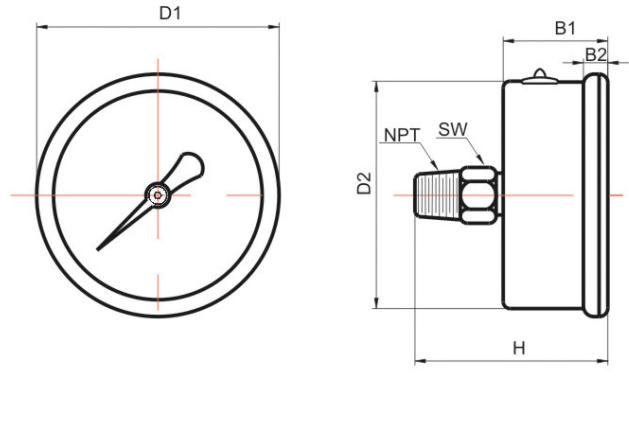
Dial Size	4" (100mm)					
NPT Connection	1/2" Bottom	1/2" Center Back	1/2" Lower Back	1/2" Bottom	1/2" Center Back	1/2" Lower Back
Socket	Brass			SS		
30"Hg Vac	P21L5230V	P21B5230V	P21LB5230V	P31L5230V	P31B5230V	P31LB5230V
30"/0/15 psi	P21L52301V	P21B52301	P21LB52301	P31L52301V	P31B52301	P31LB52301
30"/0/30 psi	P21L52302V	P21B52302	P21LB52302	P31L52302V	P31B52302	P31LB52302
30"/0/60 psi	P21L52303V	P21B52303	P21LB52303	P31L52303V	P31B52303	P31LB52303
30"/0/100 psi	P21L52304V	P21B52304	P21LB52304	P31L52304V	P31B52304	P31LB52304
30"/0/160 psi	P21L52305V	P21B52305	P21LB52305	P31L52305V	P31B52305	P31LB52305
30"/0/200 psi	P21L52306V	P21B52306	P21LB52306	P31L52306V	P31B52306	P31LB52306
30"/0/300 psi	P21L52307V	P21B52307	P21LB52307	P31L52307V	P31B52307	P31LB52307
0/15 psi	P21L521	P21B521	P21LB521	P31L521	P31B521	P31LB521
0/30 psi	P21L522	P21B522	P21LB522	P31L522	P31B522	P31LB522
0/60 psi	P21L523	P21B523	P21LB523	P31L523	P31B523	P31LB523
0/100 psi	P21L524	P21B524	P21LB524	P31L524	P31B524	P31LB524
0/160 psi	P21L525	P21B525	P21LB525	P31L525	P31B525	P31LB525
0/200 psi	P21L526	P21B526	P21LB526	P31L526	P31B526	P31LB526
0/300 psi	P21L527	P21B527	P21LB527	P31L527	P31B527	P31LB527
0/400 psi	P21L528	P21B528	P21LB528	P31L528	P31B528	P31LB528
0/600 psi	P21L529	P21B529	P21LB529	P31L529	P31B529	P31LB529
0/1,000 psi	P21L5210	P21B5210	P21LB5210	P31L5210	P31B5210	P31LB5210
0/1,500 psi	P21L5211	P21B5211	P21LB5211	P31L5211	P31B5211	P31LB5211
0/2,000 psi	P21L5212	P21B5212	P21LB5212	P31L5212	P31B5212	P31LB5212
0/3,000 psi	P21L5213	P21B5213	P21LB5213	P31L5213	P31B5213	P31LB5213
0/4,000 psi	P21L5214	P21B5214	P21LB5214	P31L5214	P31B5214	P31LB5214
0/5,000 psi	P21L5215	P21B5215	P21LB5215	P31L5215	P31B5215	P31LB5215
0/6,000 psi	P21L5216	P21B5216	P21LB5216	P31L5216	P31B5216	P31LB5216
0/7,500 psi	P21L5217	P21B5217	P21LB5217	P31L5217	P31B5217	P31LB5217
0/1,0000 psi	P21L5218	P21B5218	P21LB5218	P31L5218	P31B5218	P31LB5218
0/1,5000 psi	/	/	/	P31L5219	P31B5219	P31LB5219

● Bottom Connection



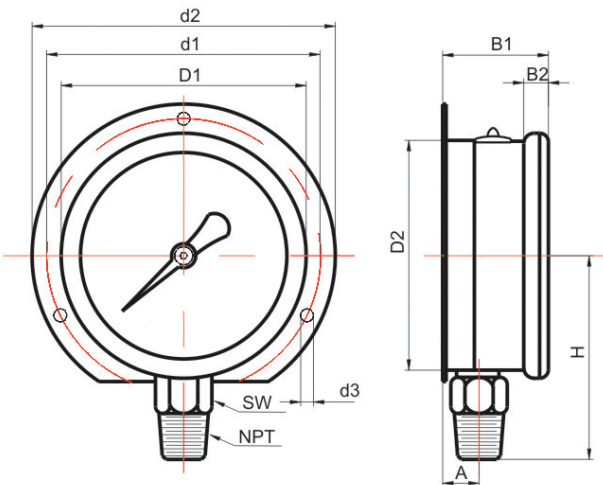
Dial Size	D1	D2	B1	B2	A	H	SW
1.5"	1.850" (47mm)	1.614" (41mm)	1.083" (27.5mm)	0.236" (6mm)	0.315" (8mm)	1.654" (42mm)	0.551" (14mm)
2"	2.264" (57.5mm)	2.008" (51mm)	1.181" (30mm)	0.236" (6mm)	0.394" (10mm)	2.047" (52mm)	0.551" (14mm)
2.5"	2.717" (69mm)	2.441" (62mm)	1.181" (30mm)	0.236" (6mm)	0.394" (10mm)	2.244" (57mm)	0.551" (14mm)
3"	3.268" (83mm)	2.953" (75mm)	1.339" (34mm)	0.276" (7mm)	0.433" (11mm)	2.638" (67mm)	0.551" (14mm)
4"	4.291" (109mm)	3.878" (98.5mm)	1.417" (36mm)	0.276" (7mm)	0.512" (13mm)	3.189" (81mm)	0.866" (22mm)

● Back Connection



Dial Size	D1	D2	B1	B2	H	SW
1.5"	1.850" (47mm)	1.614" (41mm)	1.083" (27.5mm)	0.236" (6mm)	1.969" (50mm)	0.551" (14mm)
2"	2.264" (57.5mm)	2.008" (51mm)	1.181" (30mm)	0.236" (6mm)	2.205" (56mm)	0.551" (14mm)
2.5"	2.717" (69mm)	2.441" (62mm)	1.181" (30mm)	0.236" (6mm)	2.205" (56mm)	0.551" (14mm)
3"	3.268" (83mm)	2.953" (75mm)	1.339" (34mm)	0.276" (7mm)	2.402" (61mm)	0.551" (14mm)
4"	4.291" (109mm)	3.878" (98.5mm)	1.496" (38mm)	0.276" (7mm)	2.756" (70mm)	0.866" (22mm)

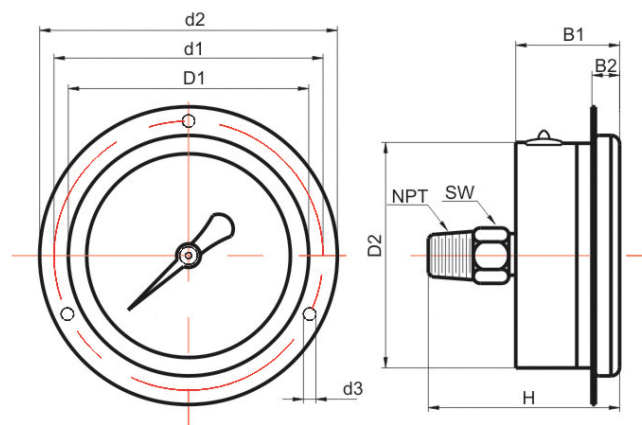
● Bottom Connection with Back Flange



Dial Size	d1	d2	d3
1.5"	2.185" (55.5mm)	2.480" (63mm)	0.157" (4mm)
2"	2.528" (64.2mm)	2.913" (74mm)	0.177" (4.5mm)
2.5"	3.055" (77.6mm)	3.465" (88mm)	0.177" (4.5mm)
3"	3.642" (92.5mm)	4.134" (105mm)	0.217" (5.5mm)
4"	4.508" (114.5mm)	5.157" (131mm)	0.217" (5.5mm)

● All other sizes are same as Bottom Connection's

● Back Connection with Front Flange



Dial Size	d1	d2	d3
1.5"	2.185" (55.5mm)	2.480" (63mm)	0.157" (4mm)
2"	2.528" (64.2mm)	2.913" (74mm)	0.169" (4.3mm)
2.5"	3.055" (77.6mm)	3.465" (88mm)	0.177" (4.5mm)
3"	3.642" (92.5mm)	4.134" (105mm)	0.217" (5.5mm)
4"	4.508" (114.5mm)	5.157" (131mm)	0.217" (5.5mm)

● All other sizes are same as Back Connection's