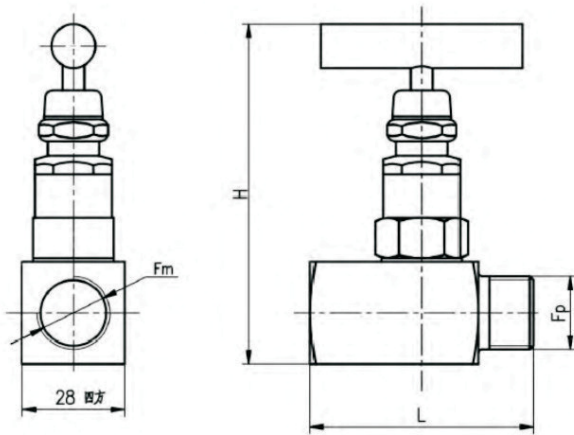


## 1. ASV-1 Series One Valve with a Bleeding

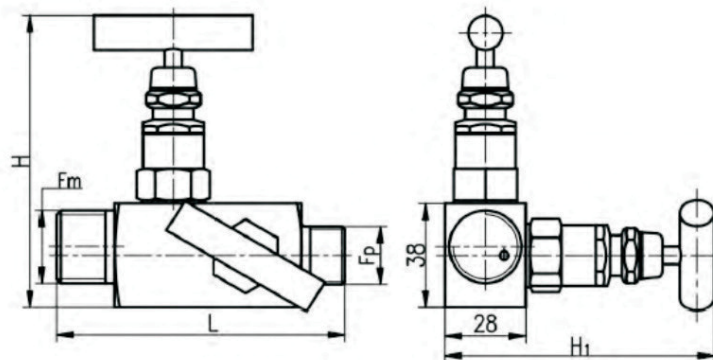
Specifications	
Nominal pressure	0-40MPa
Working temperature	-30~180°C
Body material	304
Needle plug material	316
Packing material	PTFE
Connection	1/2"NPT M-1/2"NPT F G1/2"M-G1/2"F



Fp/Fm	H	L	Product Code
G1/2"- G1/2"	95mm	60mm	ASV-11
NPT1/2"- NPT1/2"	95mm	60mm	ASV-12

## 2. ASV-2 Series Two Valves Manifold

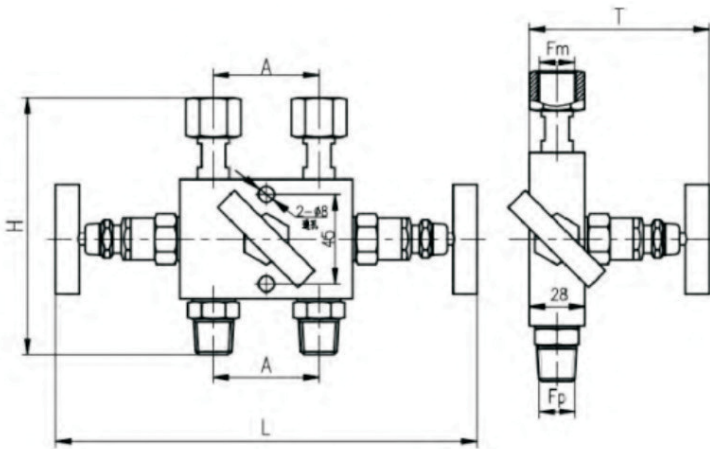
Specifications	
Nominal pressure	0-24MPa
Working temperature	-30~180°C
Body material	304
Needle plug material	316
Packing material	PTFE
Connection	1/2"NPT M-1/2"NPT F G1/2"M-G1/2"F



Fp/Fm	H	H1	L	Product Code
G1/2"- G1/2"	103mm	90mm	100mm	ASV-21
NPT1/2"- NPT1/2"	103mm	90mm	100mm	ASV-22

### 3. ASV-3 Series Three Valves Manifold

Specifications	
Nominal pressure	0-24MPa
Working temperature	-30~180°C
Body material	304
Needle plug material	316
Packing material	PTFE
Connection	1/2"NPT M-1/2"NPT F G1/2"M-G1/2"F



Fp/Fm	A	H	L	T	Product Code
G1/2" - G1/2"	54mm	133mm	212mm	89mm	ASV-11
NPT1/2" - NPT1/2"	54mm	130mm	212mm	89mm	ASV-12