



● Features:

- * Designed for sour gas
- * Dial: 2.5"(63mm), 4"(100mm), 6"(150mm), white aluminium dials with black and red markings
- * Case material, Stainless Steel, liquid filled case with bayonet bezel
- * Socket: Stainless Steel, Wetted parts meet all hardness requirements
- * ASME B40.100 and EN837-1 compliant

● Applications:

- * Suitable for corrosive environments and gaseous or liquid media that will not obstruct the pressure system

Specifications	
Dial	2.5"(63mm), 4"(100mm), 6"(150mm)
Case	SS304 or SS316, liquid filled case with bayonet bezel
Lens	Laminated safety glass
Socket	SS304 or SS316 or 316L
Connection	1/4" NPT or 1/2" NPT
Movement	Stainless Steel
Pointer	Black aluminium, adjustable for dial 4" and 6"
Welding	Laser Welding
Over-pressure Limit	25% of full scale value
Working Pressure	Maximum 80% of full scale value
Ambient/Process Temperature	Dry: -40°F to 200°F (-40°C to 93°C) Glycerin Filled: -4°F to 150°F (-20°C to 65°C)
Accuracy	±1% ANSI/ASME Grade 1A



Option Explanation:

1. For all the following options, need special instructions in writing.

- * Socket material is Lead free brass, SS304, SS316 or 316L etc.
- * The gauge is Liquid-filled or Dry with filling hole.
- * Bottom connection with Back flange.
- * Back connection with Front flange.

2. All the product codes in following sheets don't include above option items.

PPL Series Product Code (Scales kPa, bar, kg/cm²... available)

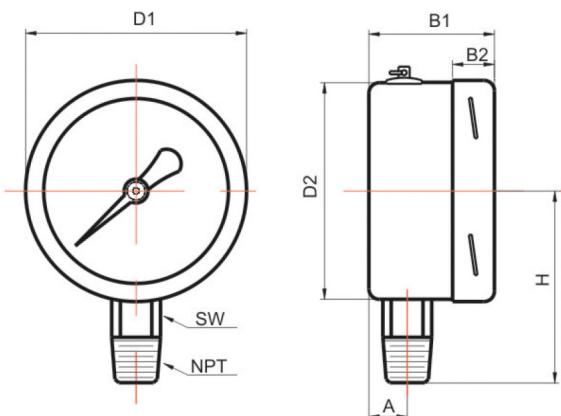
Dial Size	2.5" (63mm)						4" (100mm)	
NPT Connection	1/4" Bottom	1/4" Center Back	1/4" Lower Back	1/4" Bottom	1/4" Center Back	1/4" Lower Back	1/4" Bottom	1/4" Lower Back
Socket	Brass			SS			Brass	
30"Hg Vac	P23L3430V	P23B3430V	P23LB3430V	P33L3430V	P33B3430V	P33LB3430V	P23L5430V	P23B5430V
30"/0/15 psi	P23L34301	P23B34301	P23LB34301	P33L34301	P33B34301	P33LB34301	P23L54301	P23B54301
30"/0/30 psi	P23L34302	P23B34302	P23LB34302	P33L34302	P33B34302	P33LB34302	P23L54302	P23B54302
30"/0/60 psi	P23L34303	P23B34303	P23LB34303	P33L34303	P33B34303	P33LB34303	P23L54303	P23B54303
30"/0/100 psi	P23L34304	P23B34304	P23LB34304	P33L34304	P33B34304	P33LB34304	P23L54304	P23B54304
30"/0/160 psi	P23L34305	P23B34305	P23LB34305	P33L34305	P33B34305	P33LB34305	P23L54305	P23B54305
30"/0/200 psi	P23L34306	P23B34306	P23LB34306	P33L34306	P33B34306	P33LB34306	P23L54306	P23B54306
30"/0/300 psi	P23L34307	P23B34307	P23LB34307	P33L34307	P33B34307	P33LB34307	P23L54307	P23B54307
0/15 psi	P23L341	P23B341	P23LB341	P33L341	P33B341	P33LB341	P23L541	P23B541
0/30 psi	P23L342	P23B342	P23LB342	P33L342	P33B342	P33LB342	P23L542	P23B542
0/60 psi	P23L343	P23B343	P23LB343	P33L343	P33B343	P33LB343	P23L543	P23B543
0/100 psi	P23L344	P23B344	P23LB344	P33L344	P33B344	P33LB344	P23L544	P23B544
0/160 psi	P23L345	P23B345	P23LB345	P33L345	P33B345	P33LB345	P23L545	P23B545
0/200 psi	P23L346	P23B346	P23LB346	P33L346	P33B346	P33LB346	P23L546	P23B546
0/300 psi	P23L347	P23B347	P23LB347	P33L347	P33B347	P33LB347	P23L547	P23B547
0/400 psi	P23L348	P23B348	P23LB348	P33L348	P33B348	P33LB348	P23L548	P23B548
0/600 psi	P23L349	P23B349	P23LB349	P33L349	P33B349	P33LB349	P23L549	P23B549
0/1,000 psi	P23L3410	P23B3410	P23LB3410	P33L3410	P33B3410	P33LB3410	P23L5410	P23B5410
0/1,500 psi	P23L3411	P23B3411	P23LB3411	P33L3411	P33B3411	P33LB3411	P23L5411	P23B5411
0/2,000 psi	P23L3412	P23B3412	P23LB3412	P33L3412	P33B3412	P33LB3412	P23L5412	P23B5412
0/3,000 psi	P23L3413	P23B3413	P23LB3413	P33L3413	P33B3413	P33LB3413	P23L5413	P23B5413
0/4,000 psi	P23L3414	P23B3414	P23LB3414	P33L3414	P33B3414	P33LB3414	P23L5414	P23B5414
0/5,000 psi	P23L3415	P23B3415	P23LB3415	P33L3415	P33B3415	P33LB3415	P23L5415	P23B5415
0/6,000 psi	P23L3416	P23B3416	P23LB3416	P33L3416	P33B3416	P33LB3416	P23L5416	P23B5416
0/7,500 psi	P23L3417	P23B3417	P23LB3417	P33L3417	P33B3417	P33LB3417	P23L5417	P23B5417
0/1,0000 psi	P23L3418	P23B3418	P23LB3418	P33L3418	P33B3418	P33LB3418	P23L5418	P23B5418
0/1,5000 psi	/	/	/	P33L3419	P33B3419	P33LB3419	/	/

Dial Size	4" (100mm)					
NPT Connection	1/4" Bottom	1/4" Lower Back	1/2" Bottom	1/2" Lower Back	1/2" Bottom	1/2" Lower Back
Socket	SS		Brass		SS	
30"Hg Vac	P33L5430V	P33LB5430V	P23L5230V	P23LB5230V	P33L5230V	P33LB5230V
30"/0/15 psi	P33L54301	P33LB54301	P23L52301	P23LB52301	P33L52301	P33LB52301
30"/0/30 psi	P33L54302	P33LB54302	P23L52302	P23LB52302	P33L52302	P33LB52302
30"/0/60 psi	P33L54303	P33LB54303	P23L52303	P23LB52303	P33L52303	P33LB52303
30"/0/100 psi	P33L54304	P33LB54304	P23L52304	P23LB52304	P33L52304	P33LB52304
30"/0/160 psi	P33L54305	P33LB54305	P23L52305	P23LB52305	P33L52305	P33LB52305
30"/0/200 psi	P33L54306	P33LB54306	P23L52306	P23LB52306	P33L52306	P33LB52306
30"/0/300 psi	P33L54307	P33LB54307	P23L52307	P23LB52307	P33L52307	P33LB52307
0/15 psi	P33L541	P33LB541	P23L521	P23LB521	P33L521	P33LB521
0/30 psi	P33L542	P33LB542	P23L522	P23LB522	P33L522	P33LB522
0/60 psi	P33L543	P33LB543	P23L523	P23LB523	P33L523	P33LB523
0/100 psi	P33L544	P33LB544	P23L524	P23LB524	P33L524	P33LB524
0/160 psi	P33L545	P33LB545	P23L525	P23LB525	P33L525	P33LB525
0/200 psi	P33L546	P33LB546	P23L526	P23LB526	P33L526	P33LB526
0/300 psi	P33L547	P33LB547	P23L527	P23LB527	P33L527	P33LB527
0/400 psi	P33L548	P33LB548	P23L528	P23LB528	P33L528	P33LB528
0/600 psi	P33L549	P33LB549	P23L529	P23LB529	P33L529	P33LB529

Dial Size	4" (100mm)						
NPT Connection	1/4" Bottom	1/4" Lower Back	1/2" Bottom	1/2" Center Back	1/2" Lower Back	1/2" Bottom	1/2" Lower Back
Socket	SS		Brass			SS	
0/1,000 psi	P33L5410	P33LB5410	P23L5210	P23B5210	P23LB5210	P33L5210	P33LB5210
0/1,500 psi	P33L5411	P33LB5411	P23L5211	P23B5211	P23LB5211	P33L5211	P33LB5211
0/2,000 psi	P33L5412	P33LB5412	P23L5212	P23B5212	P23LB5212	P33L5212	P33LB5212
0/3,000 psi	P33L5413	P33LB5413	P23L5213	P23B5213	P23LB5213	P33L5213	P33LB5213
0/4,000 psi	P33L5414	P33LB5414	P23L5214	P23B5214	P23LB5214	P33L5214	P33LB5214
0/5,000 psi	P33L5415	P33LB5415	P23L5215	P23B5215	P23LB5215	P33L5215	P33LB5215
0/6,000 psi	P33L5416	P33LB5416	P23L5216	P23B5216	P23LB5216	P33L5216	P33LB5216
0/7,500 psi	P33L5417	P33LB5417	P23L5217	P23B5217	P23LB5217	P33L5217	P33LB5217
0/1,0000 psi	P33L5418	P33LB5418	P23L5218	P23B5218	P23LB5218	P33L5218	P33LB5218
0/1,5000 psi	P33L5419	P33LB5419	/	/	/	P33L5219	P33LB5219

Dial Size	6" (150mm)		6" (150mm)	
NPT Connection	1/2" Bottom	1/2" Lower Back	1/2" Bottom	1/2" Lower Back
Socket	Brass		SS	
30"Hg Vac	P23L7230V	P23LB7230V	P33L7230V	P33LB7230V
30"/0/15 psi	P23L72301	P23LB72301	P33L72301	P33LB72301
30"/0/30 psi	P23L72302	P23LB72302	P33L72302	P33LB72302
30"/0/60 psi	P23L72303	P23LB72303	P33L72303	P33LB72303
30"/0/100 psi	P23L72304	P23LB72304	P33L72304	P33LB72304
30"/0/160 psi	P23L72305	P23LB72305	P33L72305	P33LB72305
30"/0/200 psi	P23L72306	P23LB72306	P33L72306	P33LB72306
30"/0/300 psi	P23L72307	P23LB72307	P33L72307	P33LB72307
0/15 psi	P23L721	P23LB721	P33L721	P33LB721
0/30 psi	P23L722	P23LB722	P33L722	P33LB722
0/60 psi	P23L723	P23LB723	P33L723	P33LB723
0/100 psi	P23L724	P23LB724	P33L724	P33LB724
0/160 psi	P23L725	P23LB725	P33L725	P33LB725
0/200 psi	P23L726	P23LB726	P33L726	P33LB726
0/300 psi	P23L727	P23LB727	P33L727	P33LB727
0/400 psi	P23L728	P23LB728	P33L728	P33LB728
0/600 psi	P23L729	P23LB729	P33L729	P33LB729
0/1,000 psi	P23L7210	P23LB7210	P33L7210	P33LB7210
0/1,500 psi	P23L7211	P23LB7211	P33L7211	P33LB7211
0/2,000 psi	P23L7212	P23LB7212	P33L7212	P33LB7212
0/3,000 psi	P23L7213	P23LB7213	P33L7213	P33LB7213
0/4,000 psi	P23L7214	P23LB7214	P33L7214	P33LB7214
0/5,000 psi	P23L7215	P23LB7215	P33L7215	P33LB7215
0/6,000 psi	P23L7216	P23LB7216	P33L7216	P33LB7216
0/7,500 psi	P23L7217	P23LB7217	P33L7217	P33LB7217
0/1,0000 psi	P23L7218	P23LB7218	P33L7218	P33LB7218
0/1,5000 psi	/	/	P33L7219	P33LB7219

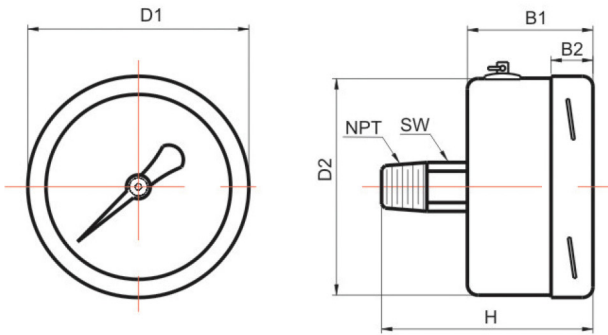
Bottom Connection



Dial Size	D1	D2	B1	B2	A	H	SW
2.5"	2.5" (63mm)	2.421" (61.5mm)	1.280" (32.5mm)	0.472" (12mm)	0.394" (10mm)	2.205" (56mm)	0.551" (14mm)
4"	4" (100mm)	3.878" (98.5mm)	1.909" (48.5mm)	0.669" (17mm)	0.630" (16mm)	3.307" (84mm)	0.866" (22mm)
6"	6" (150mm)	5.866" (149mm)	1.969" (50mm)	0.709" (18mm)	0.630" (16mm)	4.390" (111.5mm)	0.866" (22mm)

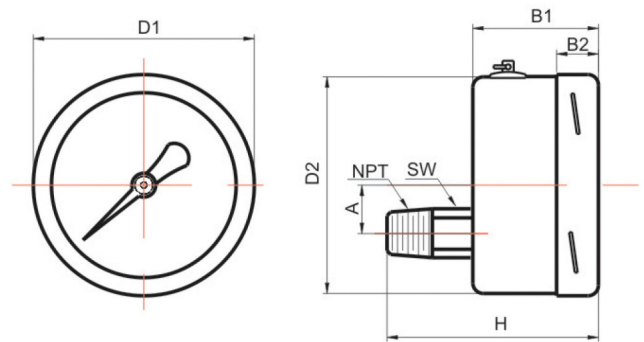


● Center Back Connection



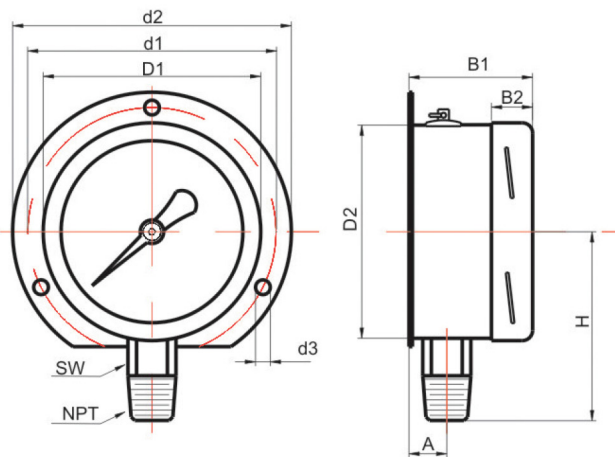
Dial Size	D1	D2	B1	B2	H	SW
2.5"	2.5" (63mm)	2.421" (61.5mm)	1.280" (32.5mm)	0.472" (12mm)	2.264" (57.5mm)	0.551" (14mm)

● Lower Back Connection



Dial Size	D1	D2	B1	B2	A	H	SW
2.5"	2.5" (63mm)	2.421" (61.5mm)	1.280" (32.5mm)	0.472" (12mm)	0.748" (19mm)	2.264" (57.5mm)	0.551" (14mm)
4"	4" (100mm)	3.878" (98.5mm)	1.909" (48.5mm)	0.669" (17mm)	1.142" (29mm)	3.189" (81mm)	0.866" (22mm)
6"	6" (150mm)	5.866" (149mm)	1.969" (50mm)	0.709" (18mm)	1.142" (29mm)	3.425" (87mm)	0.866" (22mm)

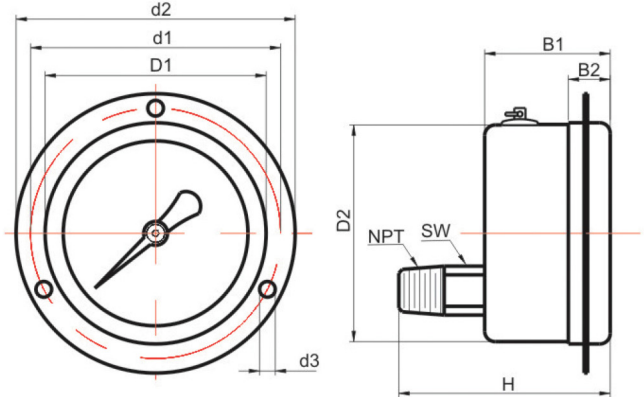
● Bottom Connection with Back Flange



Dial Size	d1	d2	d3
2.5"	2.933" (74.5mm)	3.386" (86mm)	0.150" (3.8mm)
4"	4.567" (116mm)	5.197" (132mm)	0.189" (4.8mm)
6"	6.575" (167mm)	7.283" (185mm)	0.244" (6.2mm)

● All other sizes are same as Bottom Connection's

● Lower Back Connection with Front Flange



Dial Size	d1	d2	d3
2.5"	2.953" (75mm)	3.346" (85mm)	0.138" (3.5mm)
4"	4.646" (118mm)	5.197" (132mm)	0.189" (4.8mm)
6"	6.575" (167mm)	7.283" (185mm)	0.244" (6.2mm)

● All other sizes are same as Back Connection's