

● Features

- * 2" dial size
- * Copper Alloy Bourdon tube and socket
- * Black steel case
- * 1/2", 3/4" or 1" FNPT connections
- * Plastic, snap-in lens
- * Accuracy: 3/2/3% per ASME B40.1 Grade B
- * White scale with black graduations and numerals
- * Horizontal or vertical housing



● Applications

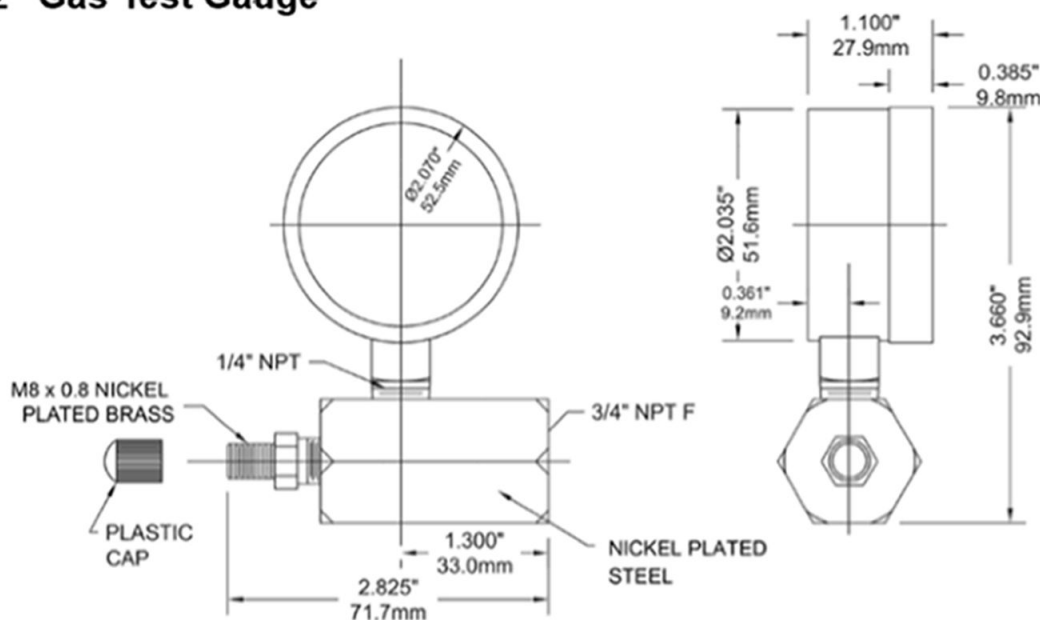
- * For pressure tests of residential and commercial piping systems

● PTG-1 Series Product Code

Range	Housing	Code
0-15 psi	Horizontal	TG1101
0-30 psi	Horizontal	TG1102
0-60 psi	Horizontal	TG1103
0-100 psi	Horizontal	TG1104
0-160 psi	Horizontal	TG1105
0-200 psi	Horizontal	TG1106

Range	Housing	Code
0-15 psi	Vertical	TG1201
0-30 psi	Vertical	TG1202
0-60 psi	Vertical	TG1203
0-100 psi	Vertical	TG1204
0-160 psi	Vertical	TG1205
0-200 psi	Vertical	TG1206

2" Gas Test Gauge



● Range and Graduation

Range	Figure	Graduation
0-15 psi	1 psi	0.1 psi
0-30 psi	5 psi	0.5 psi
0-60 psi	10 psi	1 psi
0-100 psi	10 psi	1 psi
0-160 psi	20 psi	2 psi
0-200 psi	20 psi	2 psi