

● Features

- * 2" dial size
- * Copper Alloy Bourdon tube and socket
- * Black steel case
- * 1/2", 3/4" or 1" FNPT connections
- * Plastic, snap-in lens
- * Accuracy: 3/2/3% per ASME B40.1 Grade B
- * White scale with black graduations and numerals
- * Installed horizontal or vertical with manifold



● Applications

- * Gas Test Pressure gauge is used in pressurizing and monitoring a gas system for leakage

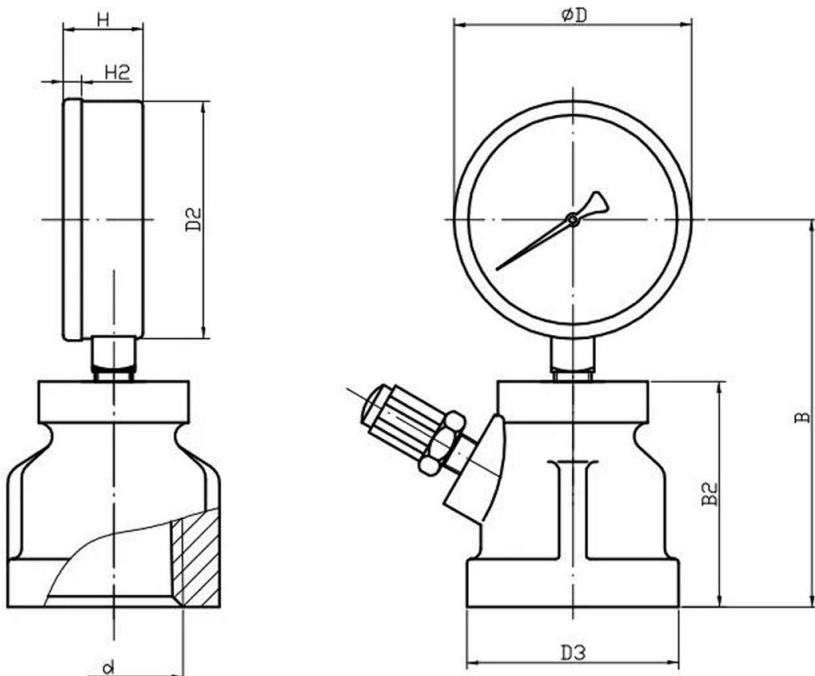
● PTG-1 Series Product Code

Range	Code
15psi x 1/2"FNPT	TG211
30psi x 1/2"FNPT	TG212
60psi x 1/2"FNPT	TG213
100psi x 1/2"FNPT	TG214
160psi x 1/2"FNPT	TG215
200psi x 1/2"FNPT	TG216

Range	Code
15psi x 1"FNPT	TG221
30psi x 1"FNPT	TG222
60psi x 1"FNPT	TG223
100psi x 1"FNPT	TG224
160psi x 1"FNPT	TG225
200psi x 1"FNPT	TG226

Range	Code
15psi x 3/4"FNPT	TG231
30psi x 3/4"FNPT	TG232
60psi x 3/4"FNPT	TG233
100psi x 3/4"FNPT	TG234
160psi x 3/4"FNPT	TG235
200psi x 3/4"FNPT	TG236

Gas Test Gauge



● Range and Graduation

Range	Figure	Graduation
0-15 psi	1 psi	0.1 psi
0-30 psi	5 psi	0.5 psi
0-60 psi	10 psi	1 psi
0-100 psi	10 psi	1 psi
0-160 psi	20 psi	2 psi
0-200 psi	20 psi	2 psi

Dial	D2(mm)	H(mm)	H2(mm)	B(mm)	B2(mm)	D3(mm)
2"	Φ51.2	28.3	10	73	33	Φ31
				78	38	Φ37.5
				84	44	Φ45