



● Features:

- * Dial: 1.5"(40mm), 2"(50mm), 2.5"(63mm), 3"(75mm), 4"(100mm)
white aluminium dials with black and red markings
- * Case style: **Crimped**, Stainless steel 304
- * Socket: Brass, lead free brass or stainless steel 304
- * Glycerine-filled or dry with filling hole
- * Restrictor in connection
- * ASME B40.100 and EN837-1 compliant

● Applications:

- * Intended for adverse service conditions where pulsating or vibration exists
- * Process industry
- * Suitable for gaseous or liquid media that will not obstruct the pressure system
- * Ideal for pumps, compressors, hydraulic presses

Specifications

Dial	1.5"(40mm), 2"(50mm), 2.5"(63mm), 3"(75mm), 4"(100mm)
Case	Stainless steel 304, polished or matte (not bright)
Lens	Polycarbonate window, armored glass or safety glass. Crimp-On ring
Socket	Brass, lead free brass or stainless steel
Connection	1/8"NPT, 1/4"NPT or 1/2"NPT
Movement	Brass
Pointer	Black aluminium
Welding	Silver alloy
Over-pressure Limit	25% of full scale value
Working Pressure	Maximum 80% of full scale value
Ambient/Process Temperature	-40°F to 150°F (-40°C to 65°C)



Specifications

Liquid-filled

Glycerine-filled or dry with filling hole

Dial 1.5", 2": ±3-2-3% Grade B

Accuracy

Dial 2.5", 3": ±3-2-3% Grade B (±1.6% available)

Dial 4": ±1.6% (±1.0% available)

Option Explanation:

1. For all the following options, need special instructions in writing.

- * Socket material is Lead free brass, SS304, SS316 or 316L etc.
- * Case surface is Polished or Matte (not bright).
- * The gauge is Liquid-filled or Dry with filling hole.
- * Bottom connection with Back flange, and the flange is Removable or Fixed.
- * Back connection with Front flange, and the flange is Removable or Fixed.
- * Back connection with U-clamp.

* Socket and internals are **separated** and screwed together with the case.



* Socket and internals are **completed** and fixed with case by screws on the back.



2. All the product codes in following sheets don't include above option items.

PLC Series Product Code (Scales kPa, bar, kg/cm²... available)

Dial Size	1.5" (40mm)				2" (50mm)			
	1/8" Bottom	1/8" Center Back	1/8" Bottom	1/8" Center Back	1/8" Bottom	1/8" Center Back	1/8" Bottom	1/8" Center Back
Socket	Brass				SS			
30"Hg Vac	P21L1830V	P21B1830V	P31L1830V	P31B1830V	P21L2830V	P21B2830V	P31L2830V	P31B2830V
30"/0/15 psi	P21L18301	P21B18301	P31L18301	P31B18301	P21L28301	P21B28301	P31L28301	P31B28301
30"/0/30 psi	P21L18302	P21B18302	P31L18302	P31B18302	P21L28302	P21B28302	P31L28302	P31B28302
30"/0/60 psi	P21L18303	P21B18303	P31L18303	P31B18303	P21L28303	P21B28303	P31L28303	P31B28303
30"/0/100 psi	P21L18304	P21B18304	P31L18304	P31B18304	P21L28304	P21B28304	P31L28304	P31B28304
30"/0/160 psi	P21L18305	P21B18305	P31L18305	P31B18305	P21L28305	P21B28305	P31L28305	P31B28305
30"/0/200 psi	P21L18306	P21B18306	P31L18306	P31B18306	P21L28306	P21B28306	P31L28306	P31B28306
30"/0/300 psi	P21L18307	P21B18307	P31L18307	P31B18307	P21L28307	P21B28307	P31L28307	P31B28307
0/15 psi	P21L181	P21B181	P31L181	P31B181	P21L281	P21B281	P31L281	P31B281
0/30 psi	P21L182	P21B182	P31L182	P31B182	P21L282	P21B282	P31L282	P31B282
0/60 psi	P21L183	P21B183	P31L183	P31B183	P21L283	P21B283	P31L283	P31B283
0/100 psi	P21L184	P21B184	P31L184	P31B184	P21L284	P21B284	P31L284	P31B284
0/160 psi	P21L185	P21B185	P31L185	P31B185	P21L285	P21B285	P31L285	P31B285
0/200 psi	P21L186	P21B186	P31L186	P31B186	P21L286	P21B286	P31L286	P31B286
0/300 psi	P21L187	P21B187	P31L187	P31B187	P21L287	P21B287	P31L287	P31B287
0/400 psi	P21L188	P21B188	P31L188	P31B188	P21L288	P21B288	P31L288	P31B288
0/600 psi	P21L189	P21B189	P31L189	P31B189	P21L289	P21B289	P31L289	P31B289
0/1,000 psi	P21L1810	P21B1810	P31L1810	P31B1810	P21L2810	P21B2810	P31L2810	P31B2810
0/1,500 psi	/	/	/	/	P21L2811	P21B2811	P31L2811	P31B2811
0/2,000 psi	/	/	/	/	P21L2812	P21B2812	P31L2812	P31B2812
0/3,000 psi	P21L1813	P21B1813	P31L1813	P31B1813	P21L2813	P21B2813	P31L2813	P31B2813
0/4,000 psi	/	/	/	/	P21L2814	P21B2814	P31L2814	P31B2814
0/5,000 psi	P21L1815	P21B1815	P31L1815	P31B1815	P21L2815	P21B2815	P31L2815	P31B2815
0/6,000 psi	/	/	/	/	P21L2816	P21B2816	P31L2816	P31B2816
0/7,500 psi	/	/	/	/	P21L2817	P21B2817	P31L2817	P31B2817
0/1,0000 psi	/	/	/	/	/	/	P31L2818	P31B2818



Dial Size	2" (50mm)				2.5" (63mm)			
	1/4" Bottom	1/4" Center Back	1/4" Bottom	1/4" Center Back	1/4" Bottom	1/4" Center Back	1/4" Bottom	1/4" Center Back
Socket	Brass				SS			
30" Hg Vac	P21L2430V	P21B2430V	P31L2430V	P31B2430V	P21L3830V	P21B3830V	P31L3430V	P31B3430V
30"/0/15 psi	P21L24301	P21B24301	P31L24301	P31B24301	P21L38301V	P21B38301	P31L34301V	P31B34301
30"/0/30 psi	P21L24302	P21B24302	P31L24302	P31B24302	P21L38302V	P21B38302	P31L34302V	P31B34302
30"/0/60 psi	P21L24303	P21B24303	P31L24303	P31B24303	P21L38303V	P21B38303	P31L34303V	P31B34303
30"/0/100 psi	P21L24304	P21B24304	P31L24304	P31B24304	P21L38304V	P21B38304	P31L34304V	P31B34304
30"/0/160 psi	P21L24305	P21B24305	P31L24305	P31B24305	P21L38305V	P21B38305	P31L34305V	P31B34305
30"/0/200 psi	P21L24306	P21B24306	P31L24306	P31B24306	P21L38306V	P21B38306	P31L34306V	P31B34306
30"/0/300 psi	P21L24307	P21B24307	P31L24307	P31B24307	P21L38307V	P21B38307	P31L34307V	P31B34307
0/15 psi	P21L241	P21B241	P31L241	P31B241	P21L381	P21B381	P31L341	P31B341
0/30 psi	P21L242	P21B242	P31L242	P31B242	P21L382	P21B382	P31L342	P31B342
0/60 psi	P21L243	P21B243	P31L243	P31B243	P21L383	P21B383	P31L343	P31B343
0/100 psi	P21L244	P21B244	P31L244	P31B244	P21L384	P21B384	P31L344	P31B344
0/160 psi	P21L245	P21B245	P31L245	P31B245	P21L385	P21B385	P31L345	P31B345
0/200 psi	P21L246	P21B246	P31L246	P31B246	P21L386	P21B386	P31L346	P31B346
0/300 psi	P21L247	P21B247	P31L247	P31B247	P21L387	P21B387	P31L347	P31B347
0/400 psi	P21L248	P21B248	P31L248	P31B248	P21L388	P21B388	P31L348	P31B348
0/600 psi	P21L249	P21B249	P31L249	P31B249	P21L389	P21B389	P31L349	P31B349
0/1,000 psi	P21L2410	P21B2410	P31L2410	P31B2410	P21L3810	P21B3810	P31L3410	P31B3410
0/1,500 psi	P21L2411	P21B2411	P31L2411	P31B2411	P21L3811	P21B3811	P31L3411	P31B3411
0/2,000 psi	P21L2412	P21B2412	P31L2412	P31B2412	P21L3812	P21B3812	P31L3412	P31B3412
0/3,000 psi	P21L2413	P21B2413	P31L2413	P31B2413	P21L3813	P21B3813	P31L3413	P31B3413
0/4,000 psi	P21L2414	P21B2414	P31L2414	P31B2414	P21L3814	P21B3814	P31L3414	P31B3414
0/5,000 psi	P21L2415	P21B2415	P31L2415	P31B2415	P21L3815	P21B3815	P31L3415	P31B3415
0/6,000 psi	P21L2416	P21B2416	P31L2416	P31B2416	P21L3816	P21B3816	P31L3416	P31B3416
0/7,500 psi	P21L2417	P21B2417	P31L2417	P31B2417	P21L3817	P21B3817	P31L3417	P31B3417
0/1,0000 psi	P21L2418	P21B2418	P31L2418	P31B2418	P21L3818	P21B3818	P31L3418	P31B3418
0/1,5000 psi	/	/	P31L2419	P31B2419	/	/	P31L3419	P31B3419

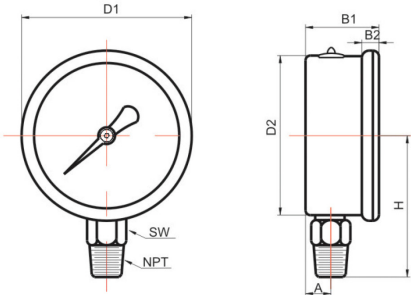
Dial Size	3" (75mm)			
	1/4" Bottom	1/4" Center Back	1/4" Bottom	1/4" Center Back
Socket	Brass		SS	
30" Hg Vac	P21L4430V	P21B4430V	P31L4430V	P31B4430V
30"/0/15 psi	P21L44301V	P21B44301	P31L44301V	P31B44301
30"/0/30 psi	P21L44302V	P21B44302	P31L44302V	P31B44302
30"/0/60 psi	P21L44303V	P21B44303	P31L44303V	P31B44303
30"/0/100 psi	P21L44304V	P21B44304	P31L44304V	P31B44304
30"/0/160 psi	P21L44305V	P21B44305	P31L44305V	P31B44305
30"/0/200 psi	P21L44306V	P21B44306	P31L44306V	P31B44306
30"/0/300 psi	P21L44307V	P21B44307	P31L44307V	P31B44307
0/15 psi	P21L441	P21B441	P31L441	P31B441
0/30 psi	P21L442	P21B442	P31L442	P31B442
0/60 psi	P21L443	P21B443	P31L443	P31B443
0/100 psi	P21L444	P21B444	P31L444	P31B444
0/160 psi	P21L445	P21B445	P31L445	P31B445
0/200 psi	P21L446	P21B446	P31L446	P31B446
0/300 psi	P21L447	P21B447	P31L447	P31B447
0/400 psi	P21L448	P21B448	P31L448	P31B448
0/600 psi	P21L449	P21B449	P31L449	P31B449
0/1,000 psi	P21L4410	P21B3510	P31L4410	P31B4410
0/1,500 psi	P21L4411	P21B3511	P31L4411	P31B4411
0/2,000 psi	P21L4412	P21B3512	P31L4412	P31B4412
0/3,000 psi	P21L4413	P21B3513	P31L4413	P31B4413
0/4,000 psi	P21L4414	P21B3514	P31L4414	P31B4414
0/5,000 psi	P21L4415	P21B3515	P31L4415	P31B4415
0/6,000 psi	P21L4416	P21B3516	P31L4416	P31B4416
0/7,500 psi	P21L4417	P21B3517	P31L4417	P31B4417
0/1,0000 psi	P21L4418	P21B3518	P31L4418	P31B4418
0/1,5000 psi	/	/	P31L4419	P31B4419



Dial Size	4" (100mm)					
NPT Connection	1/4" Bottom	1/4" Center Back	1/4" Lower Back	1/4" Bottom	1/4" Center Back	1/4" Lower Back
Socket	Brass			SS		
30"Hg Vac	P21L5430V	P21B5430V	P21LB5430V	P31L5430V	P31B5430V	P31LB5430V
30"/0/15 psi	P21L54301V	P21B54301	P21LB54301	P31L54301V	P31B54301	P31LB54301
30"/0/30 psi	P21L54302V	P21B54302	P21LB54302	P31L54302V	P31B54302	P31LB54302
30"/0/60 psi	P21L54303V	P21B54303	P21LB54303	P31L54303V	P31B54303	P31LB54303
30"/0/100 psi	P21L54304V	P21B54304	P21LB54304	P31L54304V	P31B54304	P31LB54304
30"/0/160 psi	P21L54305V	P21B54305	P21LB54305	P31L54305V	P31B54305	P31LB54305
30"/0/200 psi	P21L54306V	P21B54306	P21LB54306	P31L54306V	P31B54306	P31LB54306
30"/0/300 psi	P21L54307V	P21B54307	P21LB54307	P31L54307V	P31B54307	P31LB54307
0/15 psi	P21L541	P21B541	P21LB541	P31L541	P31B541	P31LB541
0/30 psi	P21L542	P21B542	P21LB542	P31L542	P31B542	P31LB542
0/60 psi	P21L543	P21B543	P21LB543	P31L543	P31B543	P31LB543
0/100 psi	P21L544	P21B544	P21LB544	P31L544	P31B544	P31LB544
0/160 psi	P21L545	P21B545	P21LB545	P31L545	P31B545	P31LB545
0/200 psi	P21L546	P21B546	P21LB546	P31L546	P31B546	P31LB546
0/300 psi	P21L547	P21B547	P21LB547	P31L547	P31B547	P31LB547
0/400 psi	P21L548	P21B548	P21LB548	P31L548	P31B548	P31LB548
0/600 psi	P21L549	P21B549	P21LB549	P31L549	P31B549	P31LB549
0/1,000 psi	P21L5410	P21B3510	P21LB3510	P31L5410	P31B5410	P31LB3510
0/1,500 psi	P21L5411	P21B3511	P21LB3511	P31L5411	P31B5411	P31LB3511
0/2,000 psi	P21L5412	P21B3512	P21LB3512	P31L5412	P31B5412	P31LB3512
0/3,000 psi	P21L5413	P21B3513	P21LB3513	P31L5413	P31B5413	P31LB3513
0/4,000 psi	P21L5414	P21B3514	P21LB3514	P31L5414	P31B5414	P31LB3514
0/5,000 psi	P21L5415	P21B3515	P21LB3515	P31L5415	P31B5415	P31LB3515
0/6,000 psi	P21L5416	P21B3516	P21LB3516	P31L5416	P31B5416	P31LB3516
0/7,500 psi	P21L5417	P21B3517	P21LB3517	P31L5417	P31B5417	P31LB3517
0/1,0000 psi	P21L5418	P21B3518	P21LB3518	P31L5418	P31B5418	P31LB3518
0/1,5000 psi	/	/	/	P31L5419	P31B5419	P31LB3519

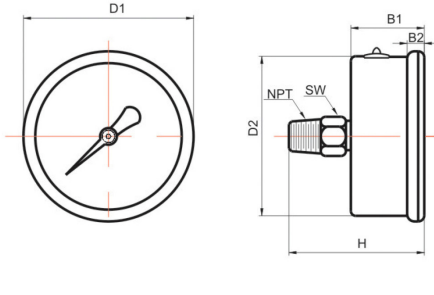
Dial Size	4" (100mm)					
NPT Connection	1/2" Bottom	1/2" Center Back	1/2" Lower Back	1/2" Bottom	1/2" Center Back	1/2" Lower Back
Socket	Brass			SS		
30"Hg Vac	P21L5230V	P21B5230V	P21LB5230V	P31L5230V	P31B5230V	P31LB5230V
30"/0/15 psi	P21L52301V	P21B52301	P21LB52301	P31L52301V	P31B52301	P31LB52301
30"/0/30 psi	P21L52302V	P21B52302	P21LB52302	P31L52302V	P31B52302	P31LB52302
30"/0/60 psi	P21L52303V	P21B52303	P21LB52303	P31L52303V	P31B52303	P31LB52303
30"/0/100 psi	P21L52304V	P21B52304	P21LB52304	P31L52304V	P31B52304	P31LB52304
30"/0/160 psi	P21L52305V	P21B52305	P21LB52305	P31L52305V	P31B52305	P31LB52305
30"/0/200 psi	P21L52306V	P21B52306	P21LB52306	P31L52306V	P31B52306	P31LB52306
30"/0/300 psi	P21L52307V	P21B52307	P21LB52307	P31L52307V	P31B52307	P31LB52307
0/15 psi	P21L521	P21B521	P21LB521	P31L521	P31B521	P31LB521
0/30 psi	P21L522	P21B522	P21LB522	P31L522	P31B522	P31LB522
0/60 psi	P21L523	P21B523	P21LB523	P31L523	P31B523	P31LB523
0/100 psi	P21L524	P21B524	P21LB524	P31L524	P31B524	P31LB524
0/160 psi	P21L525	P21B525	P21LB525	P31L525	P31B525	P31LB525
0/200 psi	P21L526	P21B526	P21LB526	P31L526	P31B526	P31LB526
0/300 psi	P21L527	P21B527	P21LB527	P31L527	P31B527	P31LB527
0/400 psi	P21L528	P21B528	P21LB528	P31L528	P31B528	P31LB528
0/600 psi	P21L529	P21B529	P21LB529	P31L529	P31B529	P31LB529
0/1,000 psi	P21L5210	P21B5210	P21LB5210	P31L5210	P31B5210	P31LB5210
0/1,500 psi	P21L5211	P21B5211	P21LB5211	P31L5211	P31B5211	P31LB5211
0/2,000 psi	P21L5212	P21B5212	P21LB5212	P31L5212	P31B5212	P31LB5212
0/3,000 psi	P21L5213	P21B5213	P21LB5213	P31L5213	P31B5213	P31LB5213
0/4,000 psi	P21L5214	P21B5214	P21LB5214	P31L5214	P31B5214	P31LB5214
0/5,000 psi	P21L5215	P21B5215	P21LB5215	P31L5215	P31B5215	P31LB5215
0/6,000 psi	P21L5216	P21B5216	P21LB5216	P31L5216	P31B5216	P31LB5216
0/7,500 psi	P21L5217	P21B5217	P21LB5217	P31L5217	P31B5217	P31LB5217
0/1,0000 psi	P21L5218	P21B5218	P21LB5218	P31L5218	P31B5218	P31LB5218
0/1,5000 psi	/	/	/	P31L5219	P31B5219	P31LB5219

● Bottom Connection



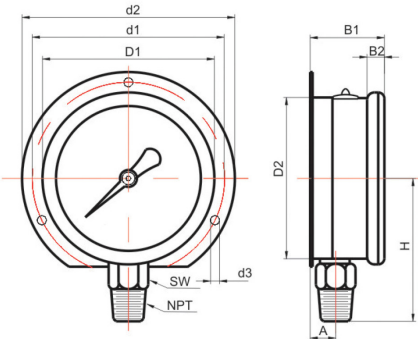
Dial Size	D1	D2	B1	B2	A	H	SW
1.5"	1.850" (47mm)	1.614" (41mm)	1.083" (27.5mm)	0.236" (6mm)	0.315" (8mm)	1.654" (42mm)	0.551" (14mm)
2"	2.264" (57.5mm)	2.008" (51mm)	1.181" (30mm)	0.236" (6mm)	0.394" (10mm)	2.047" (52mm)	0.551" (14mm)
2.5"	2.717" (69mm)	2.441" (62mm)	1.181" (30mm)	0.236" (6mm)	0.394" (10mm)	2.244" (57mm)	0.551" (14mm)
3"	3.268" (83mm)	2.953" (75mm)	1.339" (34mm)	0.276" (7mm)	0.433" (11mm)	2.639" (67mm)	0.551" (14mm)
4"	4.291" (109mm)	3.878" (98.5mm)	1.417" (36mm)	0.276" (7mm)	0.512" (13mm)	3.189" (81mm)	0.866" (22mm)

● Back Connection



Dial Size	D1	D2	B1	B2	H	SW
1.5"	1.850" (47mm)	1.614" (41mm)	1.083" (27.5mm)	0.236" (6mm)	1.969" (50mm)	0.551" (14mm)
2"	2.264" (57.5mm)	2.008" (51mm)	1.181" (30mm)	0.236" (6mm)	2.206" (56mm)	0.551" (14mm)
2.5"	2.717" (69mm)	2.441" (62mm)	1.181" (30mm)	0.236" (6mm)	2.206" (56mm)	0.551" (14mm)
3"	3.268" (83mm)	2.953" (75mm)	1.339" (34mm)	0.276" (7mm)	2.402" (61mm)	0.551" (14mm)
4"	4.291" (109mm)	3.878" (98.5mm)	1.496" (38mm)	0.276" (7mm)	2.756" (70mm)	0.866" (22mm)

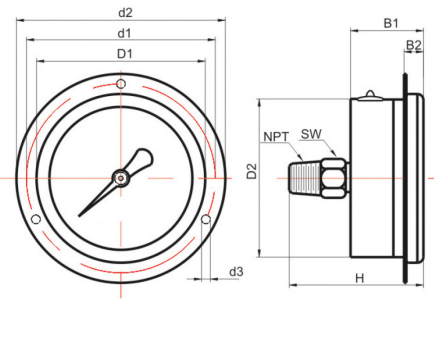
● Bottom Connection with Back Flange



Dial Size	d1	d2	d3
1.5"	2.185" (55.5mm)	2.480" (63mm)	0.157" (4mm)
2"	2.528" (64.2mm)	2.913" (74mm)	0.177" (4.5mm)
2.5"	3.065" (77.6mm)	3.465" (88mm)	0.177" (4.5mm)
3"	3.642" (92.5mm)	4.134" (105mm)	0.217" (5.5mm)
4"	4.508" (114.5mm)	5.157" (131mm)	0.217" (5.5mm)

● All other sizes are same as Bottom Connection's

● Back Connection with Front Flange



Dial Size	d1	d2	d3
1.5"	2.185" (55.5mm)	2.480" (63mm)	0.157" (4mm)
2"	2.528" (64.2mm)	2.913" (74mm)	0.169" (4.3mm)
2.5"	3.065" (77.6mm)	3.465" (88mm)	0.177" (4.5mm)
3"	3.642" (92.5mm)	4.134" (105mm)	0.217" (5.5mm)
4"	4.508" (114.5mm)	5.157" (131mm)	0.217" (5.5mm)

● All other sizes are same as Back Connection's