

### ● Features:

- \* High Steady
- \* Static pressure: 10 Mpa
- \* Capillary diaphragm
- \* Many mounting types

### ● Applications:

Double Diaphragm Differential Pressure Gauges mainly used for measuring the difference between two pressure values, in the plus and minus ends of filter, the level of liquid, the entrance and exit of pump, oil pipeline, gas pipeline and high pressure pump station and so on.

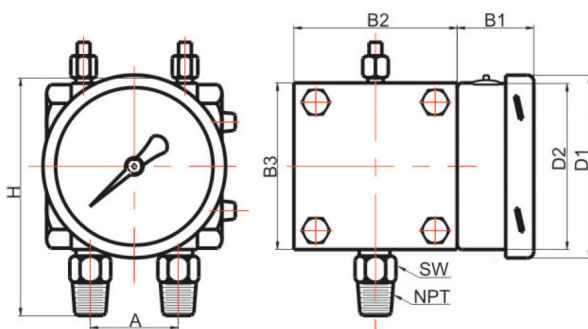


Specifications	
Dial Size	4"(100mm), 6" (150mm)
Case material	SS304
Lens	Laminated safe glass
Connection	1/4"NPT, 1/2"NPT thread inside (without 3-way manifold)
Internals/ Movement	SS304
Diaphragm material	316L (for negative pressure) 316Ti (for positive pressure)
Standard Differential Ranges	16 Kpa, 40 Kpa, 60 Kpa to 600 Kpa
Over pressure protection	10 Mpa
Pointer	Zero adjustable black aluminum pointer
Mounting type	Bottom connection with back mounting bracket (AH) Pipe clamp mounting (GK)
Accuracy	±1.6%, ±2.5% (1.6% available if range above 0.1 Mpa)

### ● PDD Series Product Code (Scales psi, bar, kg/cm<sup>2</sup>... available)

Dial Size	4" (100mm)				6" (150mm)			
	1/2" AH	1/2" GH	1/2" AH	1/2" GH	1/2" AH	1/2" GH	1/2" AH	1/2" GH
0-16 Kpa	P82AH621	P82GK621	P82AH641	P82GK641	P82AH821	P82GK821	P82AH841	P82GK841
0-40 Kpa	P82AH622	P82GK622	P82AH644	P82GK644	P82AH822	P82GK822	P82AH844	P82GK844
0-60 Kpa	P82AH623	P82GK623	P82AH643	P82GK643	P82AH823	P82GK823	P82AH843	P82GK843
0-100 Kpa	P82AH624	P82GK624	P82AH644	P82GK644	P82AH824	P82GK824	P82AH844	P82GK844
0-160 Kpa	P82AH625	P82GK625	P82AH645	P82GK645	P82AH825	P82GK825	P82AH845	P82GK845
0-250 Kpa	P82AH626	P82GK626	P82AH646	P82GK646	P82AH828	P82GK828	P82AH848	P82GK848
0-400 Kpa	P82AH627	P82GK627	P82AH647	P82GK647	P82AH827	P82GK827	P82AH847	P82GK847
0-600 Kpa	P82AH628	P82GK628	P82AH648	P82GK648	P82AH828	P82GK828	P82AH848	P82GK848

● P/S: AH: Bottom connection with back mounting bracket; GH: Pipe clamp mounting



Dial Size	D1	D2	B1	B2 / B3	A	H
4" (100mm)	4.370" (111mm)	3.819" (97mm)	2.008" (51mm)	3.937" (100mm)	2.126" (54mm)	5.551" (141mm)
6" (150mm)	5.866" (149mm)	5.787" (147mm)	2.165" (55mm)	3.937" (100mm)	2.126" (54mm)	6.220" (158mm)



**● Features:**

- \* Dial Size: 4" (100 mm)
- \* Case: **Aluminum**
- \* Cover: Polycarbonate
- \* Element: Silicon rubber
- \* Connection: 1/8" NPT female
- \* Max. Pressure: 10 Bar
- \* ASMEB40.100 compliant



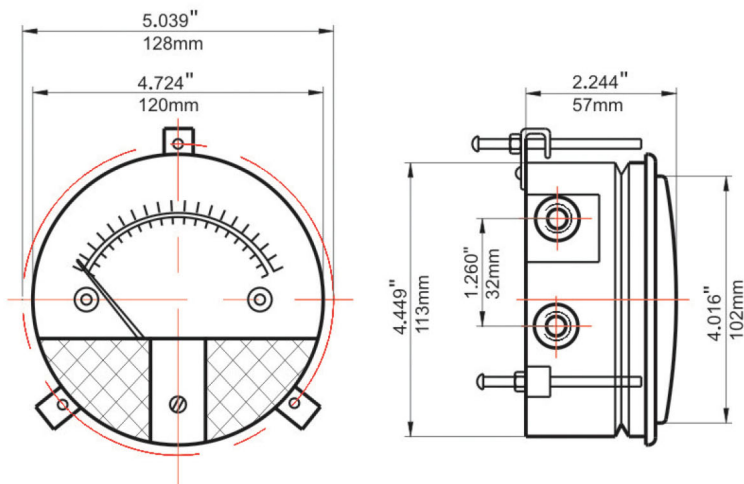
**● Application:**

- \* Measure differential pressures for air filter
- \* Measure differential pressures for Application Line

Specifications	
Dial Size	4" (100 mm)
Case and Cover Material	<b>Aluminum</b>
Element	Silicon rubber
Connection	1/8" NPT
Max. Pressure	10 Bar
Over-pressure limit	30% of full scale value
Ambient Temperature	-6 ~60 °C
Accuracy	±2%

**● PDA Series Product Code (Scales psi, mbar, inH<sub>2</sub>O... available )**

Dial Size	4" (100mm)
NPT Connection	1/8" Back
-0.1/ 10 KPa	P83B681
0/ 0.2 KPa	P83B682
0.1/10 KPa	P83B683
0/15 KPa	P83B684
0/25 KPa	P83B685
0/30 KPa	P83B686
0/50 KPa	P83B687



### ● Features:

- \* Versatile high static low differential pressure gauges
- \* Switches available for actuation
- \* ASME B40.100 compliant

### ● Application:

- \* Measure differential pressures for gas filter
- \* Measure differential pressures for application line
- \* Used for gas filter line
- \* Measure whether filter blocks

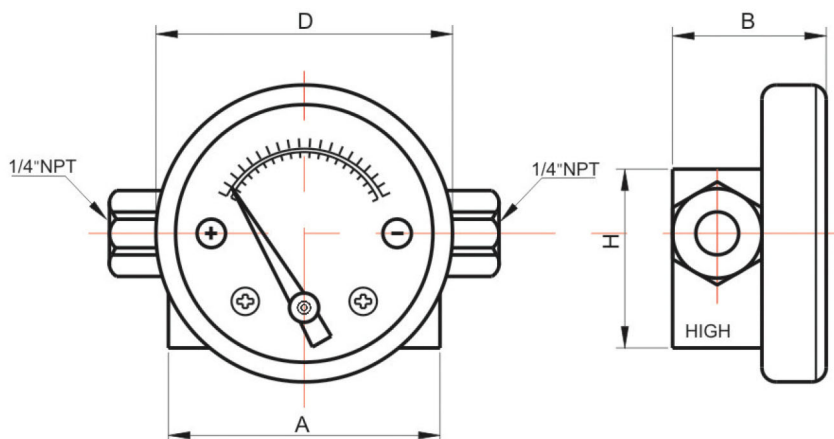


### Specifications

Dial Size	2" (50 mm), 3" (75mm), 4" (100mm)
Case Material	SS304
Cover Material	Rubber
Body Material	SS316, Aluminum
Connection	1/4" NPT
Max. Pressure	20 Mpa (Aluminum)
Over-pressure limit	40 Mpa(SS316), 30% of full scale value
Accuracy	±2%

### ● PDS Series Product Code (Scales psi, bar, kg/cm<sup>2</sup>... available)

Dial Size	2" (50mm)		3" (75mm)		4" (100mm)	
	Aluminum	SS316	Aluminum	SS316	Aluminum	SS316
0/25 Kpa	P84B241A	P84B241S	P84B441A	P84B441S	P84B641A	P84B641S
0/50 Kpa	P84B242A	P84B242S	P84B442A	P84B442S	P84B642A	P84B642S
0/75 Kpa	P84B243A	P84B243S	P84B443A	P84B443S	P84B643A	P84B643S
0/100 Kpa	P84B244A	P84B244S	P84B444A	P84B444S	P84B644A	P84B644S
0/160 Kpa	P84B245A	P84B245S	P84B445A	P84B445S	P84B645A	P84B645S
0/200 Kpa	P84B246A	P84B246S	P84B446A	P84B446S	P84B646A	P84B646S
0/250 Kpa	P84B247A	P84B247S	P84B447A	P84B447S	P84B647A	P84B647S
0/300 Kpa	P84B248A	P84B248S	P84B448A	P84B448S	P84B648A	P84B648S
0/400 Kpa	P84B249A	P84B249S	P84B449A	P84B449S	P84B649A	P84B649S
0/500 Kpa	P84B2410A	P84B2410S	P84B4410A	P84B4410S	P84B6410A	P84B6410S
0/600 Kpa	P84B2411A	P84B2411S	P84B4411A	P84B4411S	P84B6411A	P84B6411S
0/700 Kpa	P84B2412A	P84B2412S	P84B4412A	P84B4412S	P84B6412A	P84B6412S
0/900 Kpa	P84B2413A	P84B2413S	P84B4413A	P84B4413S	P84B6413A	P84B6413S
0/1000 Kpa	P84B2414A	P84B2414S	P84B4414A	P84B4414S	P84B6414A	P84B6414S



Dial Size	D	B	H	A
2"	1.969" (50mm)	1.639" (43mm)	1.969" (50mm)	2.992" (76mm)
3"	2.992" (76mm)	1.639" (43mm)	1.969" (50mm)	2.992" (76mm)
4"	3.976" (101mm)	1.639" (43mm)	1.969" (50mm)	2.992" (76mm)



### ● Features:

- \* Case & Cover: **Fiberglass Nylon**
- \* Connection: Barbed Fitting
- \* Element: Silicon Rubber, Butile Rubber

### ● Application:

- \* Measure differential pressures for gas filter
- \* Measure differential pressures for application line

Specifications	
Dial Size	2"(50mm)
Case and Cover	<b>Fiberglass Nylon</b>
Element	Silicon Rubber, Butile Rubber
Dial	Aluminum
Connection	Barbed Fitting
Max. Pressure	0.2 Mpa
Scale Range	0 ~0.5 to 50 Pa
Accuracy	±5%

### ● PDN Series Product Code (Scales psi, mbar, inH<sub>2</sub>O... available )

Dial Size	2" (50mm)
0/0.5 Pa	P85BF21
0/1 Pa	P85BF22
0/3 Pa	P85BF23
0/5 Pa	P85BF24
0/10 Pa	P85BF25
0/15 Pa	P85BF26
0/20 Pa	P85BF27
0/25 Pa	P85BF28
0/30 Pa	P85BF29
0/35 Pa	P85BF210
0/40 Pa	P85BF211
0/45 Pa	P85BF212
0/50 Pa	P85BF213

