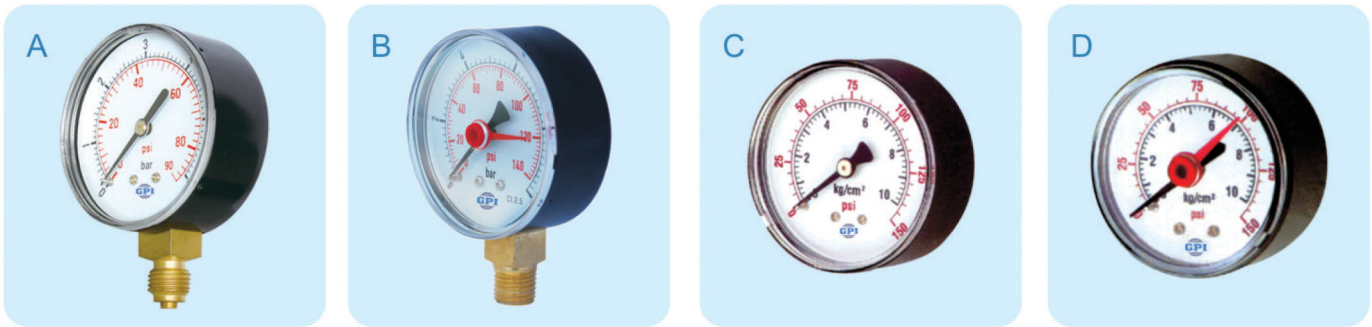




Economy Pressure Gauge (Push-in Style)

PEP Series



● Features:

- * Most economical, all- purpose pressure gauge
- * Dial: 1.5"(40mm), 2"(50mm), 2.5"(63mm), 3"(75mm), 4"(100mm), white aluminium dials with black and red markings
- * Case : Black steel or plastic case with **push-in acrylic lens**
- * Socket: Brass or lead free brass
- * ASME B40.100 and EN837-1 compliant

● Applications:

- * Hydraulic and pneumatic systems
- * Pumps, compressors, water systems, regulators
- * Suitable for fluid medium which does not clog connection port or corrode copper alloy

Specifications	
Dial	1.5"(40mm), 2"(50mm), 2.5"(63mm), 3"(75mm), 4"(100mm)
Case	Black Steel standard, Plastic available
Lens	Acrylic, push-in style
Socket	Brass or Lead Free Brass
Connection	1/8"NPT , 1/4"NPT or 1/2"NPT
Movement	Brass
Pointer	Black aluminium
Welding	Silver alloy
Over-pressure Limit	25% of full scale value
Working Pressure	Maximum 80% of full scale value
Ambient/Process Temperature	-40°F to 150°F (-40°C to 65°C)
Accuracy	Dial 1.5", 2" : ±3-2-3% Grade B
	Dial 2.5", 3" : ±3-2-3% Grade B (±1.6% available)
	Dial 4" : ±1.6% (±1.0% available)

● Option Explanation:

1. For all the following options, need special instructions in writing.

- * Socket material is Lead free brass etc.

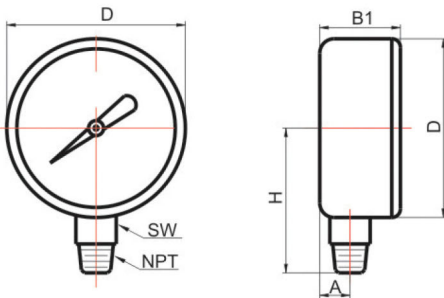
2. All the product codes in following sheets don't include above option items.

● PEP Series Product Code (Scales kPa, bar, kg/cm²... available)

Dial Size	1.5" (40mm)		2" (50mm)			
	1/8" Bottom	1/8" Center Back	1/8" Bottom	1/8" Center Back	1/4" Bottom	1/4" Center Back
30"Hg Vac	P11L1830V	P11B1830V	P11L2830V	P11B2830V	P11L2430V	P11B2430V
0/15 psi	P11L181	P11B181	P11L281	P11B281	P11L241	P11B241
0/30 psi	P11L182	P11B182	P11L282	P11B282	P11L242	P11B242
0/60 psi	P11L183	P11B183	P11L283	P11B283	P11L243	P11B243
0/100 psi	P11L184	P11B184	P11L284	P11B284	P11L244	P11B244
0/160 psi	P11L185	P11B185	P11L285	P11B285	P11L245	P11B245
0/200 psi	P11L186	P11B186	P11L286	P11B286	P11L246	P11B246
0/300 psi	P11L187	P11B187	P11L287	P11B287	P11L247	P11B247
0/400 psi	/	/	P11L288	P11B288	P11L248	P11B248
0/600 psi	/	/	P11L289	P11B289	P11L249	P11B249
0/1,000 psi	P11L1810	P11B1810	P11L2810	P11B2810	P11L2410	P11B2410
0/3,000 psi	/	/	P11L2811	P11B2811	P11L2411	P11B2411
0/4,000 psi	P11L1812	P11B1812	P11L2812	P11B2812	P11L2412	P11B2412
0/5,000 psi	/	/	P11L2813	P11B2813	P11L2413	P11B2413
0/6,000 psi	P11L1814	P11B1814	P11L2814	P11B2814	P11L2414	P11B2414

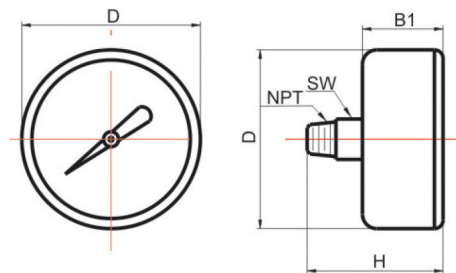
Dial Size	2.5" (63mm)		3" (75mm)		4" (100mm)	
	1/4" Bottom	1/4" Center Back	1/4" Bottom	1/4" Center Back	1/4" Bottom	1/2" Bottom
30"Hg Vac	P11L3430V	P11B3430V	P11L4430V	P11B4430V	P11L6430V	P11L6230V
30"/0/15 psi	/	/	P11L44301	/	/	/
30"/0/30 psi	/	/	P11L44302	/	/	/
30"/0/60 psi	/	/	P11L44303	/	/	/
30"/0/100 psi	/	/	P11L44304	/	/	/
0/15 psi	P11L341	P11B341	P11L441	P11B441	P11L641	P11L621
0/30 psi	P11L342	P11B342	P11L442	P11B442	P11L642	P11L622
0/60 psi	P11L343	P11B343	P11L443	P11B443	P11L643	P11L623
0/100 psi	P11L344	P11B344	P11L444	P11B444	P11L644	P11L624
0/160 psi	P11L345	P11B345	P11L445	P11B445	P11L645	P11L625
0/200 psi	P11L346	P11B346	P11L446	P11B446	P11L646	P11L626
0/300 psi	P11L347	P11B347	P11L447	P11B447	P11L647	P11L627
0/400 psi	P11L348	P11B348	P11L448	P11B448	/	/
0/600 psi	P11L349	P11B349	P11L449	P11B449	/	/
0/1,000 psi	P11L3410	P11B3410	P11L4410	P11B4410	/	/
0/3,000 psi	P11L3411	P11B3411	P11L4411	P11B4411	/	/
0/4,000 psi	P11L3412	P11B3412	P11L4412	P11B4412	/	/
0/5,000 psi	P11L3413	P11B3413	P11L4413	P11B4413	/	/
0/6,000 psi	P11L3414	P11B3414	P11L4414	P11B4414	/	/

● Bottom Connection



Dial Size	D	B1	A	H	SW
1.5"	1.575" (40mm)	0.984" (25mm)	0.354" (9mm)	1.457" (37mm)	0.433" (11mm)
2"	2.047" (52mm)	1.122" (28.5mm)	0.394" (10mm)	1.811" (46mm)	0.551" (14mm)
2.5"	2.441" (62mm)	1.122" (28.5mm)	0.413" (10.5mm)	2.047" (52mm)	0.551" (14mm)
3"	3.130" (79.5mm)	1.220" (31mm)	0.413" (10.5mm)	2.441" (62mm)	0.551" (14mm)
4"	3.878" (98.5mm)	1.299" (33mm)	0.433" (11mm)	2.835" (72mm)	0.669" (17mm)

● Back Connection

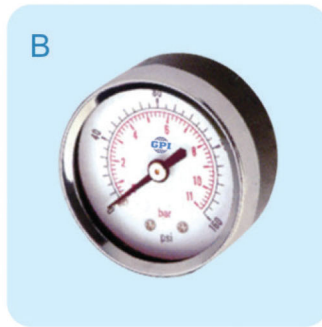


Dial Size	D	B1	H	SW
1.5"	1.575" (40mm)	0.984" (25mm)	1.575" (40mm)	0.433" (11mm)
2"	2.047" (52mm)	1.122" (28.5mm)	1.811" (46mm)	0.551" (14mm)
2.5"	2.441" (62mm)	1.102" (28mm)	1.850" (47mm)	0.551" (14mm)
3"	3.130" (79.5mm)	1.220" (31mm)	1.969" (50mm)	0.551" (14mm)
4"	3.878" (98.5mm)	1.299" (33mm)	2.087" (53mm)	0.669" (17mm)



Economy Pressure Gauge (Bezel Style)

PEB Series



● Features:

- * Most economical, all- purpose pressure gauge
- * Dial: 1.5"(40mm), 2"(50mm), 2.5"(63mm), 3"(75mm), 4"(100mm) , 4.5"(115mm) , 6"(150mm)
white aluminium dials with black and red markings
- * Case : **Black steel case with bezel**
- * Socket: Brass or lead free brass
- * ASME B40.100 and EN83-1 compliant

● Applications:

- * Hydraulic and pneumatic systems
- * Pumps, compressors, water systems, regulators
- * Suitable for fluid medium which does not clog connection port or corrode copper alloy

Specifications	
Dial	1.5"(40mm), 2"(50mm), 2.5"(63mm), 3"(75mm), 4"(100mm) , 4.5"(115mm), 6"(150mm)
Case	Black steel or chromed steel case, with black steel, chromed steel or stainless steel bezel
Lens	Acrylic
Socket	Brass or Lead Free Brass
Connection	1/8"NPT, 1/4"NPT or 1/2"NPT
Movement	Brass
Pointer	Black aluminium
Welding	Silver alloy
Over-pressure Limit	25% of full scale value
Working Pressure	Maximum 80% of full scale value
Ambient/Process Temperature	-40°F to 150°F (-40°C to 65°C)
Accuracy	Dial 1.5", 2" : ±3-2-3% Grade B
	Dial 2.5", 3" : ±3-2-3% Grade B (±1.6% available)
	Dial 4", 4.5", 6" : ±1.6% (±1.0% available)

● Option Explanation:

1. For all the following options, need special instructions in writing.

- * Socket material are Lead free brass, Chromed brass etc.
- * The bezel surface is Black or Chromed.
- * Back connection with U-clamp.

2. All the product codes in following sheets don't include above option items.



● **PEB Series Product Code** (Scales kPa, bar, kg/cm²... available)

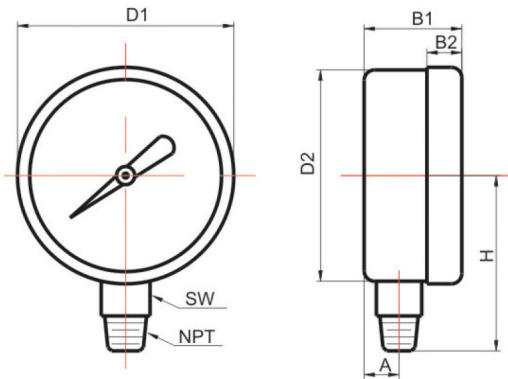
Dial Size	1.5" (40mm)		2" (50mm)			
	1/8" Bottom	1/8" Center Back	1/8" Bottom	1/8" Center Back	1/4" Bottom	1/4" Center Back
30"Hg Vac	P12L1830V	P12B1830V	P12L2830V	P12B2830V	P12L2430V	P12B2430V
0/15 psi	P12L181	P12B181	P12L281	P12B281	P12L241	P12B241
0/30 psi	P12L182	P12B182	P12L282	P12B282	P12L242	P12B242
0/60 psi	P12L183	P12B183	P12L283	P12B283	P12L243	P12B243
0/100 psi	P12L184	P12B184	P12L284	P12B284	P12L244	P12B244
0/160 psi	P12L185	P12B185	P12L285	P12B285	P12L245	P12B245
0/200 psi	P12L186	P12B186	P12L286	P12B286	P12L246	P12B246
0/300 psi	P12L187	P12B187	P12L287	P12B287	P12L247	P12B247
0/400 psi	/	/	P12L288	P12B288	P12L248	P12B248
0/600 psi	/	/	P12L289	P12B289	P12L249	P12B249
0/1,000 psi	P12L1810	P12B1810	P12L2810	P12B2810	P12L2410	P12B2410
0/3,000 psi	/	/	P12L2811	P12B2811	P12L2411	P12B2411
0/4,000 psi	P12L1812	P12B1812	P12L2812	P12B2812	P12L2412	P12B2412
0/5,000 psi	/	/	P12L2813	P12B2813	P12L2413	P12B2413
0/6,000 psi	P12L1814	P12B1814	P12L2814	P12B2814	P12L2414	P12B2414
0/10,000 psi	P12L1815	P12B1815	/	/	/	/

Dial Size	2.5" (63mm)		3" (75mm)	
	1/4" Bottom	1/4" Center Back	1/4" Bottom	1/4" Center Back
30"Hg Vac	P12L3430V	P12B3430V	P12L4430V	P12B4430V
30"/0/15 psi	P12L34301	/	P12L44301	/
30"/0/30 psi	P12L34302	/	P12L44302	/
30"/0/60 psi	P12L34303	/	P12L44303	/
30"/0/100 psi	P12L34304	/	P12L44304	/
0/15 psi	P12L341	P12B341	P12L441	P12B441
0/30 psi	P12L342	P12B342	P12L442	P12B442
0/60 psi	P12L343	P12B343	P12L443	P12B443
0/100 psi	P12L344	P12B344	P12L444	P12B444
0/160 psi	P12L345	P12B345	P12L445	P12B445
0/200 psi	P12L346	P12B346	P12L446	P12B446
0/300 psi	P12L347	P12B347	P12L447	P12B447
0/400 psi	P12L348	P12B348	P12L448	P12B448
0/600 psi	P12L349	P12B349	P12L449	P12B449
0/1,000 psi	P12L3410	P12B3410	P12L44910	P12B4410
0/3,000 psi	P12L3411	P12B3411	P12L44911	P12B4411
0/4,000 psi	P12L3412	P12B3412	P12L44912	P12B4412
0/5,000 psi	P12L3413	P12B3413	P12L44913	P12B4413
0/6,000 psi	P12L3414	P12B3414	P12L44914	P12B4414

Dial Size	4" (100mm)				4.5" (115mm)	6" (150mm)
	1/4" Bottom	1/4" Center Back	1/2" Bottom	1/2" Center Back	1/2" Bottom	1/2" Bottom
30"Hg Vac	P12L6430V	P12B6430V	P12L6230V	P12B6230V	P12L7230V	P12L8230V
30"/0/15 psi	P12L64301	P12B64301	P12L62301	P12B62301	P12L72301	P12L82301
30"/0/30 psi	P12L64302	P12B64302	P12L62302	P12B62302	P12L72302	P12L82302
30"/0/60 psi	P12L64303	P12B64303	P12L62303	P12B62303	P12L72303	P12L82303
30"/0/100 psi	P12L64304	P12B64304	P12L62304	P12B62304	P12L72304	P12L82304
0/15 psi	P12L641	P12B641	P12L621	P12B621	P12L721	P12L821
0/30 psi	P12L642	P12B642	P12L622	P12B622	P12L722	P12L822
0/60 psi	P12L643	P12B643	P12L623	P12B623	P12L723	P12L823
0/100 psi	P12L644	P12B644	P12L624	P12B624	P12L724	P12L824
0/160 psi	P12L645	P12B645	P12L625	P12B625	P12L725	P12L825
0/200 psi	P12L646	P12B646	P12L626	P12B626	P12L726	P12L826
0/300 psi	P12L647	P12B647	P12L627	P12B627	P12L727	P12L827
0/400 psi	P12L648	P12B648	P12L628	P12B628	P12L728	P12L828
0/600 psi	P12L649	P12B649	P12L629	P12B629	P12L729	P12L829
0/1,000 psi	P12L6410	P12B6410	P12L6210	P12B6210	P12L7210	P12L8210
0/3,000 psi	P12L6411	P12B6411	P12L6211	P12B6211	P12L7211	P12L8211
0/4,000 psi	P12L6412	P12B6412	P12L6212	P12B6212	P12L7212	P12L8212
0/5,000 psi	P12L6413	P12B6413	P12L6213	P12B6213	P12L7213	P12L8213
0/6,000 psi	P12L6414	P12B6414	P12L6214	P12B6214	P12L7214	P12L8214

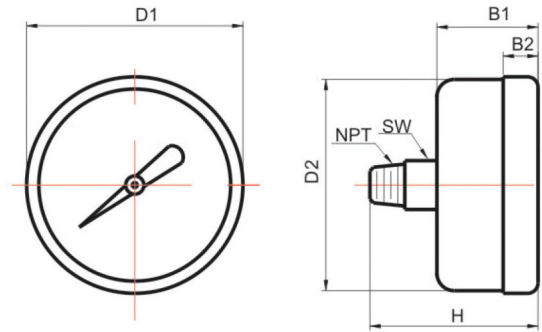


● Bottom Connection with Push-in Bezel



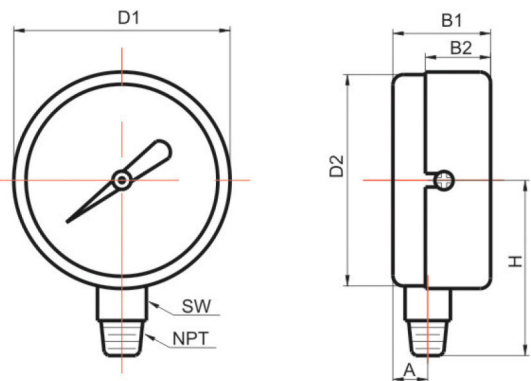
Dial Size	D1	D2	B1	B2	A	H	SW
1.5"	1.654" (42mm)	1.594" (40.5mm)	0.945" (24mm)	0.354" (9mm)	0.315" (8mm)	1.457" (37mm)	0.433" (11mm)
2"	2.067" (52.5mm)	2.008" (51mm)	1.102" (28mm)	0.394" (10mm)	0.394" (10mm)	1.791" (45.5mm)	0.551" (14mm)
2.5"	2.5" (63.5mm)	2.440" (62mm)	1.142" (29mm)	0.394" (10mm)	0.394" (10mm)	2.126" (54mm)	0.551" (14mm)
3"	2.992" (76mm)	2.933" (74.5mm)	1.181" (30mm)	0.433" (11mm)	0.394" (10mm)	2.441" (62mm)	0.551" (14mm)
4"	3.937" (100mm)	3.878" (98.5mm)	1.378" (35mm)	0.472" (12mm)	0.472" (12mm)	2.913" (74mm)	0.669" (17mm)

● Back Connection with Push-in Bezel



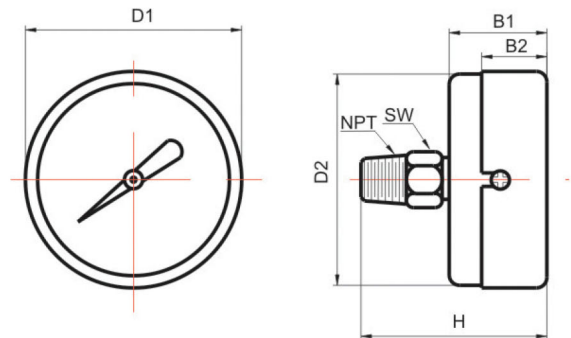
Dial Size	D1	D2	B1	B2	H	SW
1.5"	1.654" (42mm)	1.594" (40.5mm)	0.984" (25mm)	0.354" (9mm)	1.575" (40mm)	0.433" (11mm)
2"	2.067" (52.5mm)	2.008" (51mm)	1.102" (28mm)	0.394" (10mm)	1.890" (48mm)	0.551" (14mm)
2.5"	2.5" (63.5mm)	2.440" (62mm)	1.142" (29mm)	0.394" (10mm)	1.890" (48mm)	0.551" (14mm)
3"	2.992" (76mm)	2.933" (74.5mm)	1.181" (30mm)	0.433" (11mm)	2.087" (53mm)	0.551" (14mm)
4"	3.938" (100mm)	3.878" (98.5mm)	1.378" (35mm)	0.472" (12mm)	2.362" (60mm)	0.669" (17mm)

● Bottom Connection, Bezel Fixed by Screws



Dial Size	D1	D2	B1	B2	A	H	SW
3"	3.189" (81mm)	3.130" (79.5mm)	1.181" (30mm)	0.787" (20mm)	0.394" (10mm)	2.441" (62mm)	0.551" (14mm)
4"	3.917" (99.5mm)	3.858" (98mm)	1.417" (36mm)	0.866" (22mm)	0.472" (12mm)	2.835" (72mm)	0.669" (17mm)
4.5"	4.567" (116mm)	4.488" (114mm)	1.201" (30.5mm)	0.472" (12mm)	0.472" (12mm)	3.150" (80mm)	0.669" (17mm)
6"	5.906" (150mm)	5.827" (148mm)	1.575" (40mm)	0.925" (23.5mm)	0.472" (12mm)	3.819" (97mm)	0.669" (17mm)

● Back Connection, Bezel Fixed by Screws



Dial Size	D1	D2	B1	B2	H	SW
3"	3.189" (81mm)	3.130" (79.5mm)	1.181" (30mm)	0.787" (20mm)	1.929" (49mm)	0.551" (14mm)
4"	3.917" (99.5mm)	3.858" (98mm)	1.417" (36mm)	0.866" (22mm)	2.205" (56mm)	0.669" (17mm)



● Features:

- * High quality, commercial grade gauge at an economical price
- * Dial: 1.5"(40mm), 2"(50mm), 2.5"(63mm), 3"(75mm), 4"(100mm), 6"(150mm)
white aluminium dials with black and red markings
- * Case material: Black steel case **with Back or Front Flange**
- * Socket: Brass or Lead Free Brass
- * ASME B40.100 and EN837-1 compliant

● Applications:

- * Pumps, compressors, water systems, regulators

Specifications	
Dial	1.5"(40mm), 2"(50mm), 2.5"(63mm), 3"(75mm), 4"(100mm), 6"(150mm)
Case	Black steel case with Flange
Lens	Glass for bottom connection and Acrylic for back connection
Socket	Brass
Connection	1/8"NPT or 1/4"NPT or 1/2"NPT
Movement	Brass or Lead Free Brass
Pointer	Black aluminium
Welding	Silver alloy
Over-pressure Limit	25% of full scale value
Working Pressure	Maximum 80% of full scale value
Ambient/Process Temperature	-40°F to 200°F (-40°C to 93°C)
Accuracy	Dial 1.5", 2" : ±3-2-3% Grade B Dial 2.5", 3" : ±3-2-3% Grade B (±1.6% available) Dial 4", 6" : ±1.6% (±1.0% available)
Enclosure Rating	IP52



Option Explanation:

1. For all the following options, need special instructions in writing.

* Socket material is Lead free brass etc.

* The surface of case and flange is Chromed or Black steel.

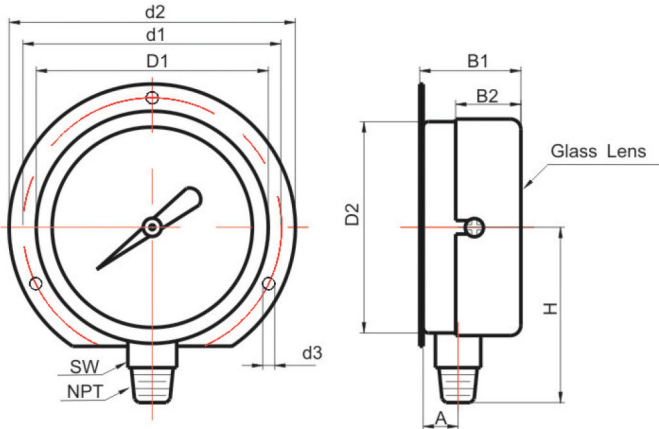
2. All the product codes in following sheets don't include above option items.

PEF Series Product Code (Scales kPa, bar, kg/cm²... available)

Dial Size	1.5" (40mm)	2" (50mm)		2.5" (63mm)		3" (90mm)	
NPT Connection	1/8" Back Front Flange	1/8" Back Front Flange	1/4" Back Front Flange	1/4" Bottom Back Flange	1/4" Back Front Flange	1/4" Bottom Back Flange	1/4" Back Front Flange
30"Hg Vac	P13B1830V	P13B2830V	P13B2430V	P13L3430V	P13B3430V	P13L4430V	P13B4430V
30"/0/15 psi	/	/	/	P13L34301	/	P13L44301	P13B44301
30"/0/30 psi	/	/	/	P13L34302	/	P13L44302	P13B44302
30"/0/60 psi	/	/	/	P13L34303	/	P13L44303	P13B44303
30"/0/100 psi	/	/	/	P13L34304	/	P13L44304	P13B44304
30"/0/160 psi	P13B181305	P13B28305	P13B24305	P13L34305	P13B34305	P13L44305	P13B44305
30"/0/200 psi	P13B181306	P13B28306	P13B24306	P13L34306	P13B34306	/	P13B44306
30"/0/300 psi	P13B181307	P13B28307	P13B24307	P13L34307	P13B34307	P13L44307	P13B44307
0/15 psi	P13B181	P13B281	P13B241	P13L341	P13B341	P13L441	P13B441
0/30 psi	P13B182	P13B282	P13B242	P13L342	P13B342	P13L442	P13B442
0/60 psi	P13B183	P13B283	P13B243	P13L343	P13B343	P13L443	P13B443
0/100 psi	P13B184	P13B284	P13B244	P13L344	P13B344	P13L444	P13B444
0/160 psi	P13B185	P13B285	P13B245	P13L345	P13B345	P13L445	P13B445
0/200 psi	P13B186	P13B286	P13B246	P13L346	P13B346	P13L446	P13B446
0/300 psi	P13B187	P13B287	P13B247	P13L347	P13B347	P13L447	P13B447
0/400 psi	/	P13B288	P13B248	P13L348	P13B348	P13L448	P13B448
0/600 psi	/	P13B289	P13B249	P13L349	P13B349	P13L449	P13B449
0/1,000 psi	P13B1810	P13B2810	P13B2410	P13L3410	P13B3410	P13L4410	P13B4410
0/3,000 psi	/	P13B2811	P13B2411	P13L3411	P13B3411	P13L4411	P13B4411
0/4,000 psi	P13B1812	P13B2812	P13B2412	P13L3412	P13B3412	P13L4412	P13B4412
0/5,000 psi	/	P13B2813	P13B2413	P13L3413	P13B3413	P13L4413	P13B4413
0/6,000 psi	P13B1814	P13B2814	P13B2414	P13L3414	P13B3414	P13L4414	P13B4414
0/10,000 psi	/	/	/	/	/	/	/

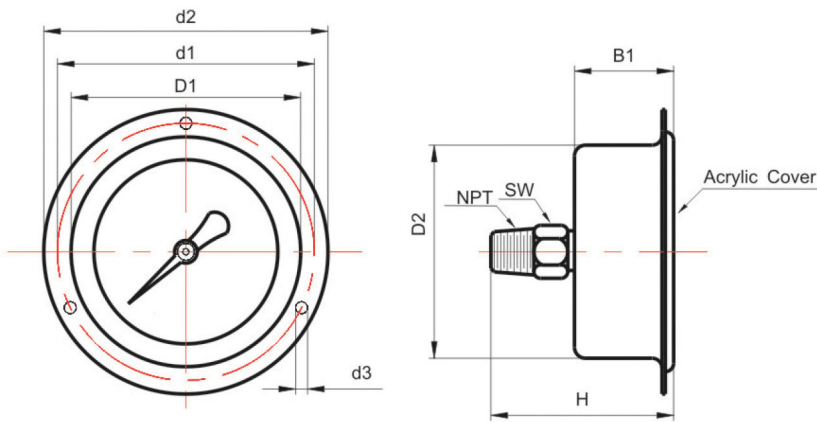
Dial Size	4" (100mm)				6" (150mm)
NPT Connection	1/8" Back Front Flange	1/4" Back Front Flange	1/2" Bottom Back Flange	1/2" Back Front Flange	1/2" Bottom Back Flange
30"Hg Vac	P13L6430V	P13L6430V	P13L6230V	P13B6230V	P13L8230V
30"/0/15 psi	P13L64301	P13L64301	P13L62301	P13B62301	P13L82301
30"/0/30 psi	P13L64302	P13L64302	P13L62302	P13B62302	P13L82302
30"/0/60 psi	P13L64303	P13L64303	P13L62303	P13B62303	P13L82303
30"/0/100 psi	P13L64304	P13L64304	P13L62304	P13B62304	P13L82304
30"/0/160 psi	P13L64305	P13L64305	P13L62305	P13B62305	P13L82305
30"/0/200 psi	/	/	/	/	P13L82306
30"/0/300 psi	P13L64307	P13L64307	P13L62307	P13B62307	P13L82307
0/15 psi	P13L641	P13L641	P13L621	P13B621	/
0/30 psi	P13L642	P13L642	P13L622	P13B622	P13L822
0/60 psi	P13L643	P13L643	P13L623	P13B623	P13L823
0/100 psi	P13L644	P13L644	P13L624	P13B624	P13L824
0/160 psi	P13L645	P13L645	P13L625	P13B625	P13L825
0/200 psi	P13L646	P13L646	P13L626	P13B626	P13L826
0/300 psi	P13L647	P13L647	P13L627	P13B627	P13L827
0/400 psi	P13L648	P13L648	P13L628	P13B628	P13L828
0/600 psi	P13L649	P13L649	P13L629	P13B629	P13L829
0/1,000 psi	P13L6410	P13L6410	P13L6210	P13B6210	P13L8210
0/3,000 psi	P13L6411	P13L6411	P13L6211	P13B6211	P13L8211
0/4,000 psi	P13L6412	P13L6412	P13L6212	P13B6212	P13L8212
0/5,000 psi	P13L6413	P13L6413	P13L6213	P13B6213	P13L8213
0/6,000 psi	P13L6414	P13L6414	P13L6214	P13B6214	P13L8214
0/10,000 psi	/	/	/	/	/

● Bottom Connection with Back Flange



Dial Size	d 1	d 2	d 3
2.5"	3.150" (80mm)	2.756" (70mm)	0.138" (3.5mm)
3"	3.858" (98mm)	3.386" (86mm)	0.177" (4.5mm)
4"	5.118" (130mm)	4.567" (116mm)	0.177" (4.5mm)
6"	6.969" (177mm)	6.496" (165mm)	0.177" (4.5mm)

● Back Connection with Front Flange



Dial Size	D	B 1	H	d 1	d 2	d 3	SW
1.5"	1.575" (40mm)	1.024" (26mm)	1.535" (39mm)	2.441" (62mm)	2.086" (53mm)	0.098" (2.5mm)	0.433" (11mm)
2"	1.969" (50mm)	1.181" (30mm)	1.969" (50mm)	2.598" (66mm)	2.362" (60mm)	0.098" (2.5mm)	0.551" (14mm)
2.5"	2.323" (59mm)	1.181" (30mm)	1.969" (50mm)	3.189" (81mm)	2.756" (70mm)	0.177" (4.5mm)	0.551" (14mm)
3"	3.189" (81mm)	1.417" (36mm)	2.323" (59mm)	4.094" (104mm)	3.681" (93.5mm)	0.177" (4.5mm)	0.669" (17mm)
4"	4.055" (103mm)	1.457" (37mm)	2.362" (60mm)	5.039" (128mm)	1.587" (118.5mm)	0.177" (4.5mm)	0.669" (17mm)