

● Features:

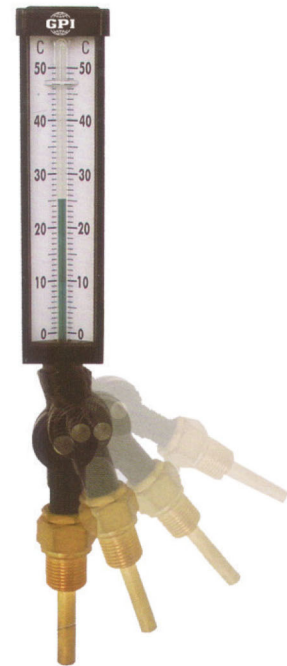
- * Widely specified in the industrial and commercial plumbing trade
- * Includes a separable brass or lead free brass thermowell
- * 3.5" (90mm) and 6" (150mm) stem
- * 9" aluminum or Valox case, and 6" aluminum case only
- * Organic filled tube (magnifying)
- * Dual scale (°F & °C)
- * Vari-angle connection and 360 degree case rotation for easy installation
- * Graphite filled bulb chamber for maximum heat condition
- * ASME B40.200 compliant
- * ±1% accuracy

● Applications:

- * New construction, plumbing, water lines, boilers, heating, ventilation and air conditioning



● 9" Industrial Thermometer



● 6" Industrial Thermometer

Specifications

| Specifications | |
|-------------------------|--|
| Case Size & Material | 9"(230mm) aluminum or Valox case, 6"(150mm) aluminium case only |
| Lens | Glass |
| Connection | For 9" case, 3/4"NPT with thermowell with 1 1/4"-18 UNF swivel nut (no thermowell) For 6"case, 1/2"NPT standard |
| Scales | Aluminum painted white with black markings |
| Bulb Chamber | Tapered cast aluminum with graphite fill |
| Tube and Sensing Liquid | Glass (magnifying), Blue, Red or Green liquid |
| Adjustment | Fully adjustable |
| Thermowell | 3/4" Brass separable socket (SS optional) 3/4"Lead free brass separable socket |
| Accuracy | ±1% |

● Option Explanation:

1. For all the following options, need special instructions in writing.

- * The thermowell material is Brass, SS304, SS316 or 316L
- * The colour of sensing liquid is Blue, Red or Green.
- * All other ranges and stem lengths available upon request.

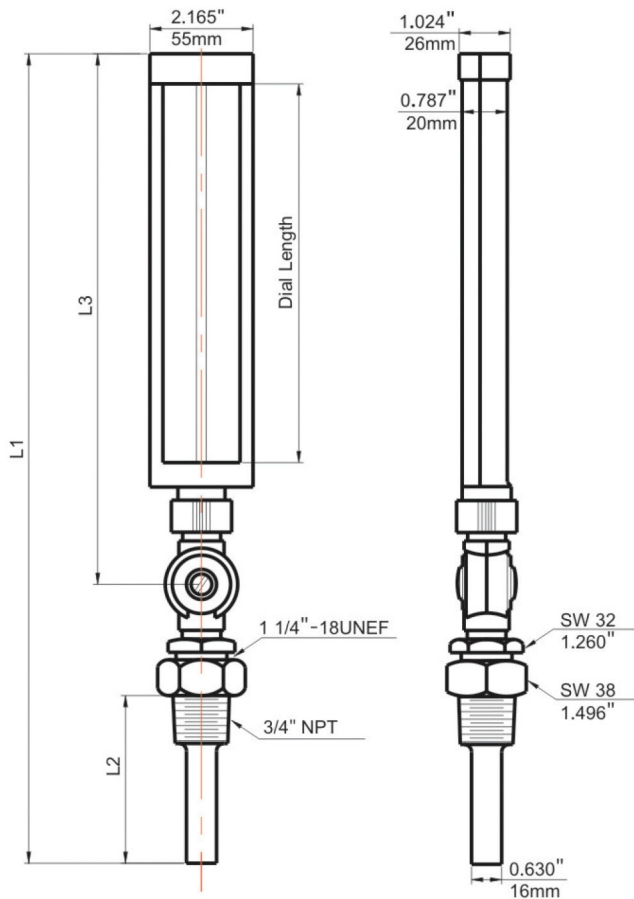
2. All the product codes in following sheets don't include above option items.



● TAI-9 Series 9" Industrial Thermometer Product Code

| Case | 9" (230 mm) | | | |
|----------------------|-------------|-------|--------|-------|
| Case Material | Aluminium | | Valox | |
| Stem Length | 3.5" | 6" | 3.5" | 6" |
| -40/110°F & -40+40°C | 9T351A | 9T61A | 9T351V | 9T61V |
| 0/120°F & -15+50°C | 9T352A | 9T62A | 9T352V | 9T62V |
| 0/160°F & -15+70°C | 9T353A | 9T63A | 9T353V | 9T63V |
| 30/180°F & 0+80°C | 9T354A | 9T64A | 9T354V | 9T64V |
| 30/240°F & 0+110°C | 9T355A | 9T65A | 9T355V | 9T65V |
| 30/300°F & 0+150°C | 9T356A | 9T66A | 9T356V | 9T66V |
| 50/400°F & 10+200°C | 9T357A | 9T67A | 9T357V | 9T67V |
| 50/550°F & 10+300°C | 9T358A | 9T68A | 9T358V | 9T68V |
| 50/750°F & 10+400°C | 9T359A | 9T69A | 9T359V | 9T69V |

● 9" Industrial Thermometer

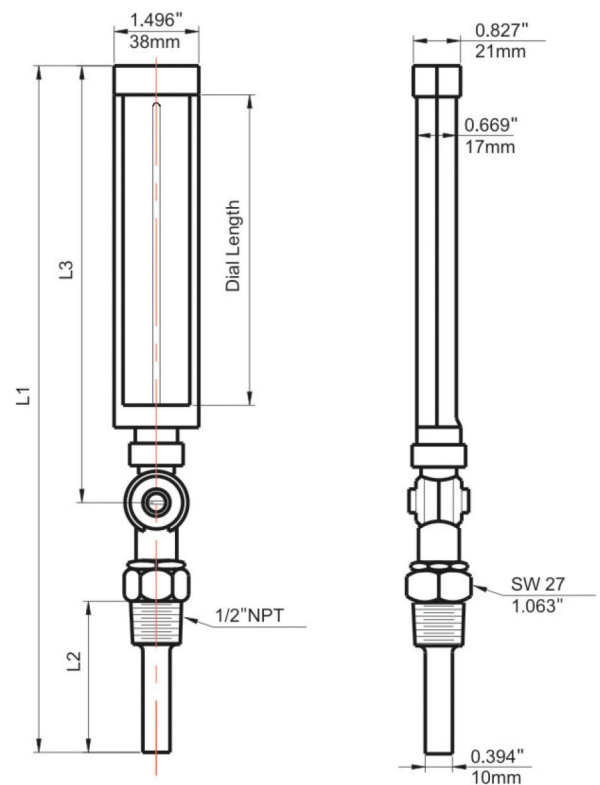


| Dial Length | L 1 | L 2 | L 3 |
|-------------|-------------------|---------------|-----------------|
| 9" (225mm) | 17.476" (443.9mm) | 3.5" (88.9mm) | 11.811" (300mm) |
| | 19.976" (507.4mm) | 6" (152.4mm) | 11.811" (300mm) |

● TAI-6 Series 6" Industrial Thermometer Product Code

| Case Length | 6" (150 mm) | | |
|----------------------|-------------|-------|-------|
| Stem Length | 2.5" | 4" | 6" |
| -20/120°F & -30/50°C | 6T251F | 6T41F | 6T61F |
| 20/140°F & 0/60°C | 6T252F | 6T42F | 6T62F |
| 30/210°F & 0/100°C | 6T253F | 6T43F | 6T63F |
| 50/300°F & 0/160°C | 6T254F | 6T44F | 6T64F |
| 50/400°F & 0/200°C | 6T255F | 6T45F | 6T65F |

● 6" Industrial Thermometer



| Dial Length | L 1 | L 2 | L 3 |
|--------------|-----------------|-------------|----------------|
| 5.6" (142mm) | 12.835" (326mm) | 2.5" (63mm) | 8.071" (205mm) |
| | 14.291" (363mm) | 4" (100mm) | 8.071" (205mm) |
| | 16.260" (413mm) | 6" (150mm) | 8.071" (205mm) |