



● Features:

- * Case: Stainless steel
- * Bezel ring: Crimped ring (bayonet type), stainless steel
- * Dial: 2.5"(63mm), 4"(100mm), aluminium, white, black lettering
- * Pointer: Aluminium, black
- * Diaphragm seal size: DN 0.75"(20mm), DN 1.5"(40mm), DN 2"(50mm), DN 2.5"(63mm)
- * Window: Laminated safety glass
- * Liquid filled or dry
- * ASME B40.100 and EN837-1 compliant

● Applications:

- * Process industry: Food industry, biotechnology and pharmaceutical industries, cosmetics manufacturing
- * Quick cleaning of measuring point, without residue
- * For gaseous and liquid aggressive media that are highly viscous or crystallising, also in aggressive ambience.



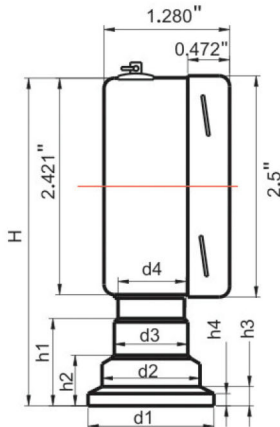
| Specifications | |
|-----------------------|--|
| Dial | 2.5"(63mm), 4"(100mm), |
| Case | SS304 |
| Lens | Polycarbonate |
| Socket | SS316, welded |
| Over Pressure Limit | 25% up to 600 psi (41 bar), 15% up to 1,000 psi (69 bar) |
| CIP Temperature Limit | 250°F (121°C) continuous |
| SIP Temperature Limit | 266°F (130°C) 1 hour, dry |
| System Fill | Food grade glycerin standard (Mineral oil, silicone and Neobee-20 optional) |
| Case Fill | Food grade glycerin standard (Dry, mineral oil, silicone and Neobee-20 optional) |
| Ambient Temperature | Glycerin filled: 40°F to 150°F (4°C to 65°C) |
| Process Temperature | 0°F to 250°F (-18°C to 121°C) |
| Accuracy | 2.5" : ±1.5% of full scale, 4" : ±1.0% of full scale |

● PSD Series Product Code (Scales kPa, bar, kg/cm² ... available)

| Dial Size | 2.5"(63mm) | | | | | |
|----------------------|--------------------|------------------|-------------------|-----------------|-----------------|---------------|
| Tri-Clamp Connection | 0.75"(20mm) Bottom | 0.75"(20mm) Back | 1.5"(40mm) Bottom | 1.5"(40mm) Back | 2"(50mm) Bottom | 2"(50mm) Back |
| 30"Hg Vac | P7L37530V | P7B37530V | P7L31530V | P7B31530V | P7L3230V | P7B3230V |
| 30"/0/15 psi | P7L375301 | P7B375301 | P7L315301 | P7B315301 | P7L32301 | P7B32301 |
| 30"/0/30 psi | P7L375302 | P7B375302 | P7L315302 | P7B315302 | P7L32302 | P7B32302 |
| 30"/0/60 psi | P7L375303 | P7B375303 | P7L315303 | P7B315303 | P7L32303 | P7B32303 |
| 30"/0/100 psi | P7L375304 | P7B375304 | P7L315304 | P7B315304 | P7L32304 | P7B32304 |
| 30"/0/150 psi | P7L375305 | P7B375305 | P7L315305 | P7B315305 | P7L32305 | P7B32305 |
| 30"/0/300 psi | P7L375306 | P7B375306 | P7L315306 | P7B315306 | P7L32306 | P7B32306 |
| 0/15 psi | P7L3751 | P7B3751 | P7L3151 | P7B3151 | P7L321 | P7B321 |
| 0/30 psi | P7L3752 | P7B3752 | P7L3152 | P7B3152 | P7L322 | P7B322 |
| 0/60 psi | P7L3753 | P7B3753 | P7L3153 | P7B3153 | P7L323 | P7B323 |
| 0/100 psi | P7L3754 | P7B3754 | P7L3154 | P7B3154 | P7L324 | P7B324 |
| 0/160 psi | P7L3755 | P7B3755 | P7L3155 | P7B3155 | P7L325 | P7B325 |
| 0/200 psi | P7L3756 | P7B3756 | P7L3156 | P7B3156 | P7L326 | P7B326 |
| 0/300 psi | P7L3757 | P7B3757 | P7L3157 | P7B3157 | P7L327 | P7B327 |
| 0/400 psi | P7L3758 | P7B3758 | P7L3158 | P7B3158 | P7L328 | P7B328 |
| 0/600 psi | P7L3759 | P7B3759 | P7L3159 | P7B3159 | P7L329 | P7B329 |
| 0/1,000 psi | P7L37510 | P7B37510 | P7L31510 | P7B31510 | P7L3210 | P7B3210 |

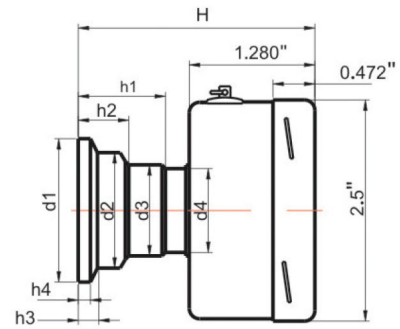
| Dial Size | 4"(100mm) | | | | | |
|----------------------|-------------------|-----------------|-----------------------|-----------------|---------------|---------------------|
| Tri-Clamp Connection | 1.5"(40mm) Bottom | 1.5"(40mm) Back | 1.5"(40mm) Lower Back | 2"(50mm) Bottom | 2"(50mm) Back | 2"(50mm) Lower Back |
| 30"Hg Vac | P7L61530V | P7B61530V | P7LB61530V | P7L6230V | P7B6230V | P7LB6230V |
| 30"/0/15 psi | P7L615301 | P7B615301 | P7LB615301 | P7L62301 | P7B62301 | P7LB62301 |
| 30"/0/30 psi | P7L615302 | P7B615302 | P7LB615302 | P7L62302 | P7B62302 | P7LB62302 |
| 30"/0/60 psi | P7L615303 | P7B615303 | P7LB615303 | P7L62303 | P7B62303 | P7LB62303 |
| 30"/0/100 psi | P7L615304 | P7B615304 | P7LB615304 | P7L62304 | P7B62304 | P7LB62304 |
| 30"/0/150 psi | P7L615305 | P7B615305 | P7LB615305 | P7L62305 | P7B62305 | P7LB62305 |
| 30"/0/300 psi | P7L615306 | P7B615306 | P7LB615306 | P7L62306 | P7B62306 | P7LB62306 |
| 0/15 psi | P7L6151 | P7B6151 | P7LB6151 | P7L621 | P7B621 | P7LB621 |
| 0/30 psi | P7L6152 | P7B6152 | P7LB6152 | P7L622 | P7B622 | P7LB622 |
| 0/60 psi | P7L6153 | P7B6153 | P7LB6153 | P7L623 | P7B623 | P7LB623 |
| 0/100 psi | P7L6154 | P7B6154 | P7LB6154 | P7L624 | P7B624 | P7LB624 |
| 0/160 psi | P7L6155 | P7B6155 | P7LB6155 | P7L625 | P7B625 | P7LB625 |
| 0/200 psi | P7L6156 | P7B6156 | P7LB6156 | P7L626 | P7B626 | P7LB626 |
| 0/300 psi | P7L6157 | P7B6157 | P7LB6157 | P7L627 | P7B627 | P7LB627 |
| 0/400 psi | P7L6158 | P7B6158 | P7LB6158 | P7L628 | P7B628 | P7LB628 |
| 0/600 psi | P7L6159 | P7B6159 | P7LB6159 | P7L629 | P7B629 | P7LB629 |
| 0/1,000 psi | P7L61510 | P7B61510 | P7LB61510 | P7L6210 | P7B6210 | P7LB6210 |

● 2.5" Bottom Connection



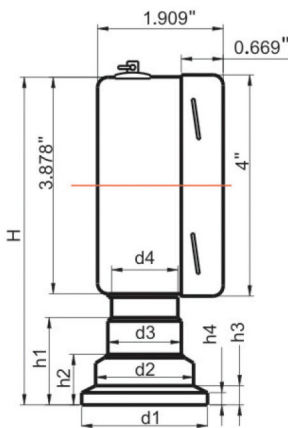
| Tri-Clamp Connection | d 1 | d 2 | d 3 | d 4 | H |
|----------------------|------------------|-------------------|--------------------|-------------------|---------------------|
| 0.75" | | 0.984" (25mm) | 0.748" (19mm) | 0.378" (9.6mm) | 3.287" (83.5mm) |
| 1.5" | 1.969" (50mm) | 1.181" (30mm) | 0.709" (18mm) | 0.630" (16mm) | 4.823" (122.5mm) |
| 2" | 2.500" (63mm) | 1.575" (40mm) | 0.768" (19.5mm) | 0.630" (16mm) | 4.823" (122.5mm) |
| Tri-Clamp Connection | h 1 | h 2 | h 3 | h 4 | |
| 0.75" | | 0.335" (8.5mm) | 0.157" (4mm) | 0.118" (3mm) | |
| 1.5" | 1.890" (48mm) | 0.945" (24mm) | 0.276" (7mm) | 0.118" (3mm) | |
| 2" | 1.890" (48mm) | 0.945" (24mm) | 0.276" (7mm) | 0.118" (3mm) | |

● 2.5" Back Connection



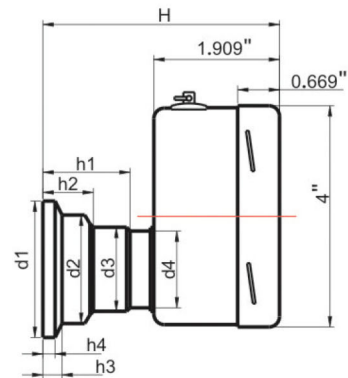
| Tri-Clamp Connection | d 1 | d 2 | d 3 | d 4 | H |
|----------------------|------------------|-------------------|--------------------|-------------------|--------------------|
| 0.75" | | 0.984" (25mm) | 0.748" (19mm) | 0.378" (9.6mm) | 2.067" (52.5mm) |
| 1.5" | 1.969" (50mm) | 1.181" (30mm) | 0.709" (18mm) | 0.630" (16mm) | 3.701" (94mm) |
| 2" | 2.520" (64mm) | 1.575" (40mm) | 0.756" (19.2mm) | 0.630" (16mm) | 3.701" (94mm) |
| Tri-Clamp Connection | h 1 | h 2 | h 3 | h 4 | |
| 0.75" | | 0.335" (8.5mm) | 0.157" (4mm) | 0.118" (3mm) | |
| 1.5" | 1.890" (48mm) | 0.945" (24mm) | 0.276" (7mm) | 0.118" (3mm) | |
| 2" | 1.890" (48mm) | 0.945" (24mm) | 0.276" (7mm) | 0.118" (3mm) | |

● 4" Bottom Connection



| Tri-Clamp Connection | d 1 | d 2 | d 3 | d 4 | H |
|----------------------|------------------|------------------|------------------|------------------|---------------------|
| 1.5" | 1.969" (50mm) | 1.575" (40mm) | 1.181" (30mm) | 0.984" (25mm) | 5.976" (151.8mm) |
| 2" | 2.520" (64mm) | 1.969" (50mm) | 1.181" (30mm) | 0.984" (25mm) | 5.976" (151.8mm) |
| Tri-Clamp Connection | h 1 | h 2 | h 3 | h 4 | |
| 1.5" | 1.378" (35mm) | 0.906" (23mm) | 0.236" (6mm) | 0.118" (3mm) | |
| 2" | 1.378" (35mm) | 0.906" (23mm) | 0.236" (6mm) | 0.118" (3mm) | |

● 4" Lower Back Connection



| Tri-Clamp Connection | d 1 | d 2 | d 3 | d 4 | H |
|----------------------|------------------|------------------|------------------|------------------|---------------------|
| 1.5" | 1.969" (50mm) | 1.575" (40mm) | 1.181" (30mm) | 0.984" (25mm) | 3.996" (101.5mm) |
| 2" | 2.520" (64mm) | 1.969" (50mm) | 1.181" (30mm) | 0.984" (25mm) | 3.996" (101.5mm) |
| Tri-Clamp Connection | h 1 | h 2 | h 3 | h 4 | |
| 1.5" | 1.378" (35mm) | 0.906" (23mm) | 0.236" (6mm) | 0.118" (3mm) | |
| 2" | 1.378" (35mm) | 0.906" (23mm) | 0.236" (6mm) | 0.118" (3mm) | |