

● Features:

- * A durable and accurate thermometer with a rigid connection
- * Dual scale (°F&°C)
- * Bottom connection
- * 1/2"NPT process connection

● Applications:

- * Marine diesel engine



● 4" Aluminium Case

● 4" SS Case

Specifications

Dial	4"(100mm)
Case	SS 304 or Black aluminium
Lens	Tempered glass or Safety glass
Bulb	Φ10mm, Φ12mm
Connection	1/2"NPT, other connection available
Stem	4", 6.5", 8" 12", 16" or as request
Pointer	Aluminum, painted black
Temperature range	-50+50°C, 0+100°C, 50+650°C or as required
Liquid	Silicon oil filled or dry with filling hole
Immersion Tube	Heat resistant steel
Accuracy	±1.5%

● Rigid Dial Thermometer

TRT Series Product Code

Dial Size	4"(100mm)									
Case Material	Black Aluminium					SS304				
Connection	1/2" NPT Bottom									
Capillary Length	4"	6"	8"	10"	12"	4"	6"	8"	10"	12"
-40/60°F & -40/15°C	PA41F	PA61F	PA81F	PA101F	PA121F	PS41F	PS61F	PS81F	PS101F	PS121F
-40/110°F & -40/40°C	PA42F	PA62F	PA82F	PA102F	PA122F	PS42F	PS62F	PS82F	PS102F	PS122F
-20/120°F & -30/50°C	PA43F	PA63F	PA83F	PA103F	PA123F	PS43F	PS63F	PS83F	PS103F	PS123F
30/150°F & 0/65°C	PA44F	PA64F	PA84F	PA104F	PA124F	PS44F	PS64F	PS84F	PS104F	PS124F
0/180°F & -20/80°C	PA45F	PA65F	PA85F	PA105F	PA125F	PS45F	PS65F	PS85F	PS105F	PS125F
30/240°F & 0/115°C	PA46F	PA66F	PA86F	PA106F	PA126F	PS46F	PS66F	PS86F	PS106F	PS126F
40/220°F & 5/100°C	PA47F	PA67F	PA87F	PA107F	PA127F	PS47F	PS67F	PS87F	PS107F	PS127F
80/300°F & 25/150°C	PA48F	PA68F	PA88F	PA108F	PA128F	PS48F	PS68F	PS88F	PS108F	PS128F
100/400°F & 40/205°C	PA49F	PA69F	PA89F	PA109F	PA129F	PS49F	PS69F	PS89F	PS109F	PS129F
100/500°F & 40/260°C	PA410F	PA70F	PA810F	PA1010F	PA1210F	PS410F	PS70F	PS810F	PS1010F	PS1210F
0/600°F & -20/315°C	PA411F	PA71F	PA811F	PA1011F	PA1211F	PS411F	PS71F	PS811F	PS1011F	PS1211F
100/1000°F & 50/550°C	PA412F	PA72F	PA812F	PA1012F	PA1212F	PS412F	PS72F	PS812F	PS1012F	PS1212F
100/1200°F & 50/650°C	PA413F	PA73F	PA813F	PA1013F	PA1213F	PS413F	PS73F	PS813F	PS1013F	PS1213F

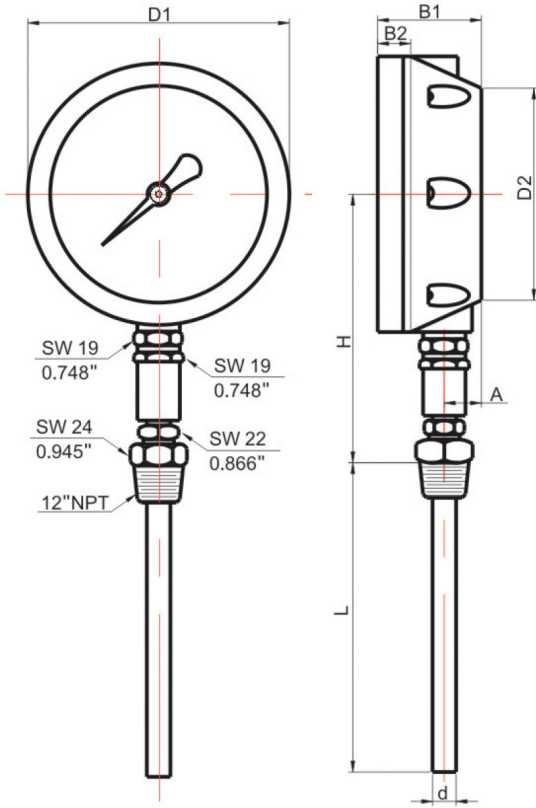
- Other ranges and stem lengths are available, and dual scales C&F or single scale °C available.



Rigid Dial Thermometer Diesel Exhaust Thermometer (Pyrometer)

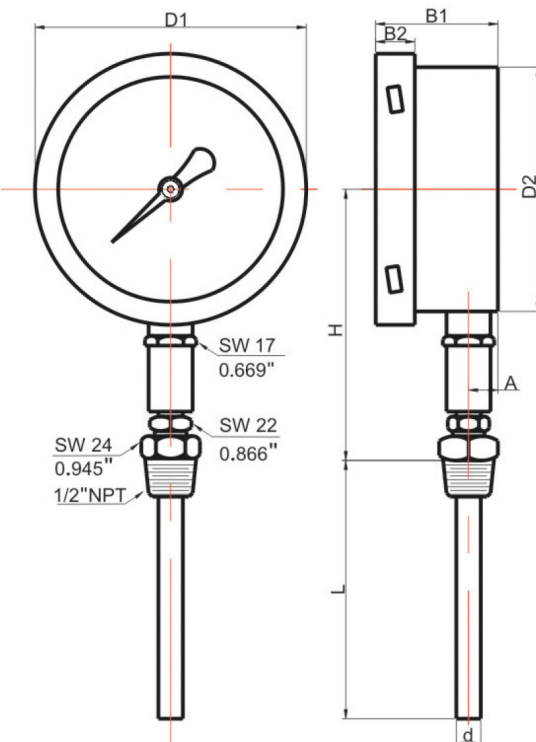
TRT Series

● 4" Black Aluminium Case, Bottom Connection



Dial Size	D1	D2	B1	B2	A	H	d	L
4"	4.606"	3.543"	1.732"	0.551"	0.630"	5.118"	Ø10 Ø12	4" (100mm)
	(117mm)	(90mm)	(44mm)	(14mm)	(16mm)	(130mm)		6" (150mm)
								8" (200mm)
								10" (250mm)
								12" (304mm)
								15" (400mm)
						20" (500mm)		

● 4" Stainless Steel Case, Bottom Connection



Dial Size	D1	D2	B1	B2	A	H	d	L
4"	4.370"	3.937"	1.969"	0.630"	0.472"	4.528"	Ø10 Ø12	4" (100mm)
	(111mm)	(100mm)	(50mm)	(16mm)	(12mm)	(115mm)		6" (150mm)
								8" (200mm)
								10" (250mm)
								12" (304mm)
								15" (400mm)
						20" (500mm)		