



● Features:

- * Highly accurate reading of low pressures
- * Brass or stainless steel wetted parts
- * Ranges from 15 inH₂O/oz to +10 psi
- * ASME B40.100 and EN 837-3 compliant

● Applications:

- * Suitable for measuring gaseous media both corrosive and non-corrosive
- * Used to measure natural gas pressure as well as air flow indication and leak detection
- * Vacuum pumps, air compressors, air filters, gas burners, vacuum ovens, suction regulators and respirator

Specifications	Brass Internals
Dial	2"(50mm), 2.5"(63mm), 4"(100mm), white aluminum dial with black and red markings
Case	Black Steel (SS304 optional)
Lens	Acrylic, push-in type or with bayonet bezel
Socket	Brass
Connection	1/4"NPT
Capsule element	Copper alloy
Pointer	Black aluminium
Welding	Solder /brazed
Over-pressure Limit	30% of full scale value
Working Pressure	60% of full scale value (fluctuating) 75% of full scale value (static)
Ambient/Process Temperature	-40°F to 150°F (-40°C to 65°C)
Accuracy	2.5"(63mm), 4"(100mm): ±3-2-3% ANSI/ASME Grade B



Low Pressure Gauge (Steel Case) Capsule Pressure Gauge

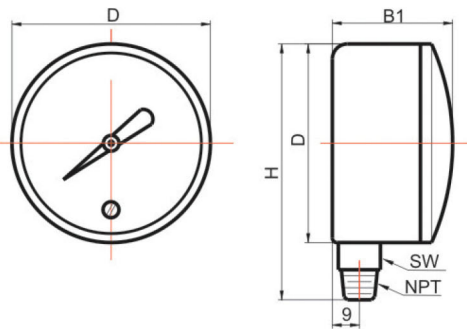
PCB Series

● **PCB Series Product Code** (Scales mbar, mmH₂O, mmAQ ... available)

Dial Size	2" (50mm) With push-in acrylic window		2.5" (63mm) With push-in acrylic window			4" (100mm) With Bayonet Bezel		
Case Material	Black Steel		Black Steel		SS	Black Steel		
Socket	Brass		Brass			Brass		
NPT Connection	1/4" Bottom	1/4" Center Back	1/4" Bottom	1/4" Center Back	1/4" Bottom	1/2" Bottom	1/2" Center Back	1/2" Bottom
0/15 inH ₂ O/vac	P41L241LV	P41B241BV	P41L341LV	P41B341BV	P41L34S1LV	P41L641LV	P41B641BV	P41L621LV
0/32 inH ₂ O/vac	P41L242V	P41B242V	P41L342V	P41B342V	P41L34S2V	P41L642V	P41B642V	P41L622V
0/55 inH ₂ O/vac	P41L243V	P41B243V	P41L343V	P41B343V	P41L34S3V	P41L643V	P41B643V	P41L623V
0/100 inH ₂ O/vac	P41L244V	P41B244V	P41L344V	P41B344V	P41L34S4V	P41L644V	P41B644V	P41L624V
0/200 inH ₂ O/vac	P41L245V	P41B245V	P41L345V	P41B345V	P41L34S5V	P41L645V	P41B645V	P41L625V
0/15 inH ₂ O/oz	P41L241O	P41B241O	P41L341O	P41B341O	P41L34S1O	P41L641O	P41B641O	P41L621O
0/32 inH ₂ O/oz	P41L242O	P41B242O	P41L342O	P41B342O	P41L34S2O	P41L642O	P41B642O	P41L622O
0/55 inH ₂ O/oz	P41L243O	P41B243O	P41L343O	P41B343O	P41L34S3O	P41L643O	P41B643O	P41L623O
0/100 inH ₂ O/oz	P41L244O	P41B244O	P41L344O	P41B344O	P41L34S4O	P41L644O	P41B644O	P41L624O
0/200 inH ₂ O/oz	P41L245O	P41B245O	P41L345O	P41B345O	P41L34S5O	P41L645O	P41B645O	P41L625O
0/5 psi	P41L241	P41B241	P41L341	P41B341	P41L34S1	P41L641	P41B641	P41L621
0/10 psi	P41L242	P41B242	P41L342	P41B342	P41L34S2	P41L642	P41B642	P41L622

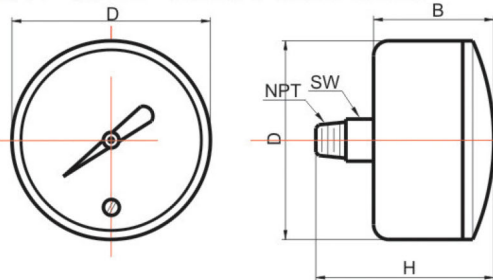
● Other range and connection sizes are available upon request.

● **2" & 2.5" Bottom Connection**



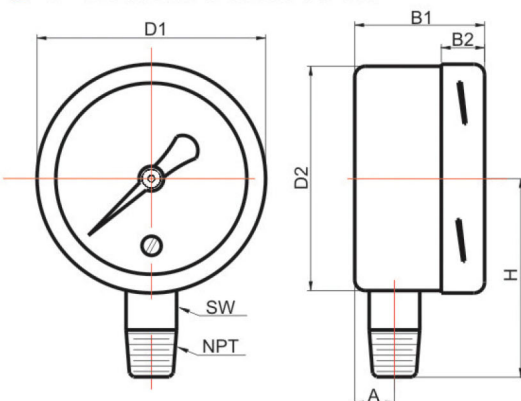
Dial Size	D	B	A	H	SW
2"	2.067" (52.5mm)	1.417" (36mm)	0.354" (9mm)	1.850" (47mm)	0.551" (14mm)
2.5"	2.598" (66mm)	1.614" (41mm)	0.354" (9mm)	2.244" (57mm)	0.551" (14mm)

● **2" & 2.5" Back Connection**

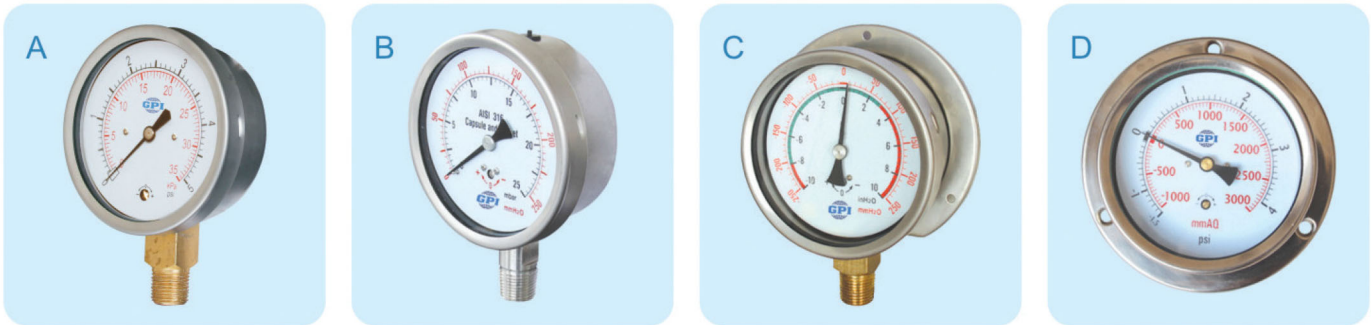


Dial Size	D	B	H	SW
2"	2.067" (52.5mm)	1.417" (36mm)	2.244" (57mm)	0.551" (14mm)
2.5"	2.598" (66mm)	1.575" (40mm)	2.441" (62mm)	0.551" (14mm)

● **4" Bottom Connection**



Dial Size	D 1	D 2	B 1	B 2	A	H	SW
4"	4" (101.6mm)	3.878" (98.5mm)	1.929" (49mm)	0.669" (17mm)	0.591" (15mm)	3.346" (85mm)	0.866" (22mm)



● Features:

- * Highly accurate reading of low pressures
- * Brass or stainless steel wetted parts
- * Ranges from 15 inH₂O/oz to +10 psi
- * ASME B40.100 and EN 837-3 compliant

● Applications:

- * Suitable for measuring gaseous media both corrosive and non-corrosive
- * Used to measure natural gas pressure as well as air flow indication and leak detection
- * Vacuum pumps, air compressors, air filters, gas burners, vacuum ovens, suction regulators and respirator

Specifications	Stainless Steel Internals	Brass Internals
Dial	2.5" (63mm), 4" (100mm), 6" (150mm) white aluminum dial with black and red markings	2.5" (63mm), 4" (100mm), 6" (150mm) white aluminum dial with black and red markings
Case	SS304	SS304
Lens	Armored glass or safety glass	Armored glass
Socket	Stainless steel	Brass
Connection	1/8"NPT or 1/4"NPT or 1/2"NPT	1/8"NPT or 1/4"NPT or 1/2"NPT
Capsule Element	Stainless steel	Copper alloy
Pointer	Black aluminium	Black aluminium
Welding	TIG	Solder /brazed
Over-pressure Limit	30% of full scale value	30% of full scale value
Working Pressure	Maximum 75% of full scale value	60% of full scale value (fluctuating) 75% of full scale value (static)
Ambient/Process Temperature	-40°F to 150°F (-40°C to 65°C)	-40°F to 150°F (-40°C to 65°C)
Accuracy	±1.6% FS	2.5" (63mm), 4" (100mm), 6" (150mm) : ±3-2-3% ANSI/ASME Grade B

● Option Explanation:

1. For all the following options, need special instructions in writing.

- * Bottom connection with Back flange, the flange is removable or fixed.
- * Back connection with Front flange, the flange is removable or fixed.

2. All the product codes in following sheets don't include above option items.



Low Pressure Gauge (SS Case) Capsule Pressure Gauge

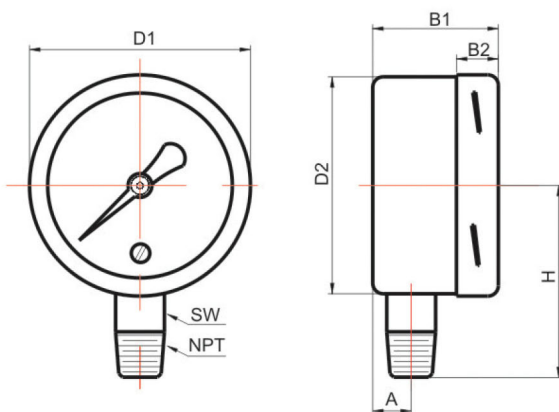
PCS Series

● **PCS Series Product Code** (Scales mbar, mmH₂O, mmAQ ... available)

Dial Size	2.5" (63mm)		2.5" (63mm)		4" (100mm)			
Socket	Brass		SS		Brass			
NPT Connection	1/4" Bottom	1/4" Center Back	1/4" Bottom	1/4" Center Back	1/4" Bottom	1/4" Center Back	1/2" Bottom	1/2" Center Back
0/15 inH ₂ O/vac	P42L341LVB	P42B341BVB	P42L341LVS	P42B341BVS	P42L641LVB	P42B641BVB	P42L621LVB	P42B621BVB
0/32 inH ₂ O/vac	P42L342VB	P42B342VB	P42L342VS	P42B342VS	P42L642VB	P42B642VB	P42L622VB	P42B622VB
0/55 inH ₂ O/vac	P42L343VB	P42B343VB	P42L343VS	P42B343VS	P42L643VB	P42B643VB	P42L623VB	P42B623VB
0/100 inH ₂ O/vac	P42L344VB	P42B344VB	P42L344VS	P42B344VS	P42L644VB	P42B644VB	P42L624VB	P42B624VB
0/200 inH ₂ O/vac	P42L345VB	P42B345VB	P42L345VS	P42B345VS	P42L645VB	P42B645VB	P42L625VB	P42B625VB
0/15 inH ₂ O/oz	P42L341OB	P42B341OB	P42L341OS	P42B341OS	P42L641OB	P42B641OB	P42L621OB	P42B621OB
0/32 inH ₂ O/oz	P42L342OB	P42B342OB	P42L342OS	P42B342OS	P42L642OB	P42B642OB	P42L622OB	P42B622OB
0/55 inH ₂ O/oz	P42L343OB	P42B343OB	P42L343OS	P42B343OS	P42L643OB	P42B643OB	P42L623OB	P42B623OB
0/100 inH ₂ O/oz	P42L344OB	P42B344OB	P42L344OS	P42B344OS	P42L644OB	P42B644OB	P42L624OB	P42B624OB
0/200 inH ₂ O/oz	P42L345OB	P42B345OB	P42L345OS	P42B345OS	P42L645OB	P42B645OB	P42L625OB	P42B625OB
0/5 psi	P42L341B	P42B341B	P42L341S	P42B341S	P42L641B	P42B641B	P42L621B	P42B621B
0/10 psi	P42L342B	P42B342B	P42L342S	P42B342S	P42L642B	P42B642B	P42L622B	P42B622B

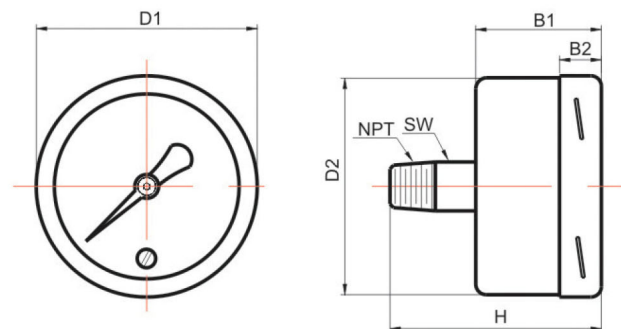
Dial Size	4" (100mm)				6" (115mm)		6" (115mm)	
Socket	SS				Brass		SS	
NPT Connection	1/4" Bottom	1/4" Center Back	1/2" Bottom	1/2" Center Back	1/2" Bottom	1/2" Center Back	1/2" Bottom	1/2" Center Back
0/15 inH ₂ O/vac	P42L641LVS	P42B641BVS	P42L621LVS	P42B621BVS	P42L821VB	P42B821VB	P42L821VS	P42B821VS
0/32 inH ₂ O/vac	P42L642VS	P42B642VS	P42L622VS	P42B622VS	P42L822VB	P42B822VB	P42L822VS	P42B822VS
0/55 inH ₂ O/vac	P42L643VS	P42B643VS	P42L623VS	P42B623VS	P42L823VB	P42B823VB	P42L823VS	P42B823VS
0/100 inH ₂ O/vac	P42L644VS	P42B644VS	P42L624VS	P42B624VS	P42L824VB	P42B824VB	P42L824VS	P42B824VS
0/200 inH ₂ O/vac	P42L645VS	P42B645VS	P42L625VS	P42B625VS	P42L825VB	P42B825VB	P42L825VS	P42B825VS
0/15 inH ₂ O/oz	P42L641OS	P42B641OS	P42L621OS	P42B621OS	P42L821OB	P42B821OB	P42L821OS	P42B821OS
0/32 inH ₂ O/oz	P42L642OS	P42B642OS	P42L622OS	P42B622OS	P42L822OB	P42B822OB	P42L822OS	P42B822OS
0/55 inH ₂ O/oz	P42L643OS	P42B643OS	P42L623OS	P42B623OS	P42L823OB	P42B823OB	P42L823OS	P42B823OS
0/100 inH ₂ O/oz	P42L644OS	P42B644OS	P42L624OS	P42B624OS	P42L824OB	P42B824OB	P42L824OS	P42B824OS
0/200 inH ₂ O/oz	P42L645OS	P42B645OS	P42L625OS	P42B625OS	P42L825OB	P42B825OB	P42L825OS	P42B825OS
0/5 psi	P42L641S	P42B641S	P42L621S	P42B621S	P42L821B	P42B821B	P42L821S	P42B821S
0/10 psi	P42L642S	P42B642S	P42L622S	P42B622S	P42L822B	P42B822B	P42L822S	P42B822S

● **Bottom Connection**



Dial Size	D1	D2	B1	B2	A	H	SW
2.5"	2.913" (74mm)	2.559" (65mm)	1.575" (40mm)	0.433" (11mm)	0.354" (9mm)	2.244" (57mm)	0.551" (14mm)
4"	4" (101mm)	3.878" (98.5mm)	1.929" (49mm)	0.669" (17mm)	0.630" (16mm)	3.346" (85mm)	0.866" (22mm)
6"	5.748" (149mm)	5.748" (146mm)	1.969" (50mm)	0.709" (18mm)	0.630" (16mm)	4.370" (111mm)	0.866" (22mm)

● **Back Connection**



Dial Size	D1	D2	B1	B2	H	SW
2.5"	2.913" (74mm)	2.559" (65mm)	1.575" (40mm)	0.433" (11mm)	2.441" (62mm)	0.551" (14mm)
4"	4" (101mm)	3.878" (98.5mm)	1.929" (49mm)	0.669" (17mm)	3.150" (80mm)	0.866" (22mm)
6"	5.748" (149mm)	5.748" (146mm)	1.969" (50mm)	0.709" (18mm)	3.346" (85mm)	0.866" (22mm)