

● Features:

- * Dial Size: 4" (100 mm), 6" (150 mm)
- * Case: SS304
- * Socket: Brass or SS316
- * Front or back flange available
- * The Max. Static Temperature: -6 ~60°C
- * Accuracy: ±1%

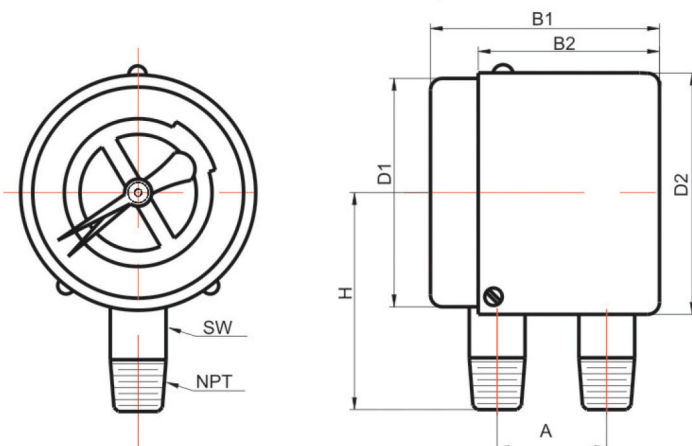
● Applications:

- * Measure difference between two pressures.
- * Both conventional and balanced scale available.
- * Suitable to measure in the corrode environment.
- * ASME B40. 100 Compliant

Specifications	
Dial	4" (100 mm), 6" (150 mm)
Scale	PSI
Case	SS304
Socket	Brass or SS316
Bourdon Tube	Copper alloy or SS316L
Ring	SS304
Lens	Glass
Connection	1/4"NPT standard, 1/2"NPT and 3/8" NPT available
Movement	Copper or SS
Pointer	Aluminum (micrometer)
Over-pressure limit	30% of full scale value
Working Pressure	Maximum 75% of full scale value
Ambient Temperature	-6 ~60 °C
Accuracy	±1.5%

● PDP-1 Series Product Code (Scales kPa, bar, kg/cm²... available)

Dial Size	4" (100mm)	6" (150mm)
Connection	1/4" Bottom	1/4" Bottom
0-15psi	P812L641	P812L841
0-25psi	P812L642	P812L842
0-35psi	P812L643	P812L843
0-60psi	P812L644	P812L844
0-85psi	P812L645	P812L845
0-145psi	P812L646	P812L846
0-230psi	P812L647	P812L847
0-350psi	P812L648	P812L848
0-600psi	P812L649	P812L849
0-850psi	P812L6410	P812L8410
0-1500psi	P812L6411	P812L8411



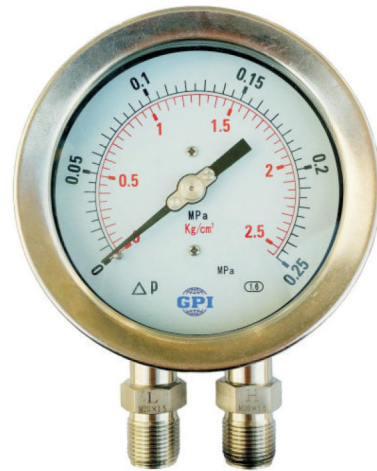
● 4" & 6" Bottom Connection

Dial Size	D1	D2	B1	B2	A	H
4"	3.898" (99mm)	3.976" (101mm)	3.150" (80mm)	2.283" (58mm)	1.260" (32mm)	3.445" (87.5mm)
6"	6.181" (157mm)	6.260" (159mm)	3.228" (82mm)	2.992" (76mm)	1.260" (32mm)	5.748" (146mm)

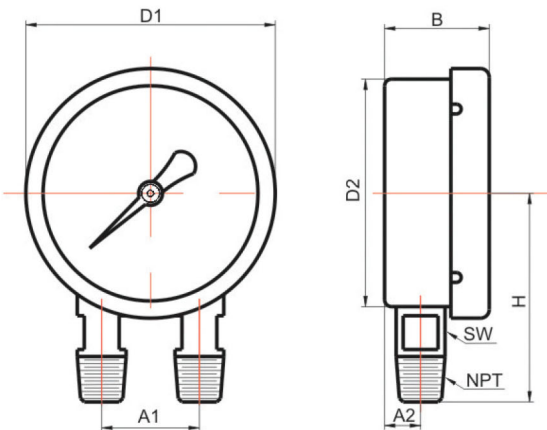


● **PDP-2 Series Product Code** (Scales kPa, bar, kg/cm²... available)

Dial Size	4" (100mm)	
NPT Connection	1/4" Bottom	1/4" Lower Back
0-60psi	P811L641	P811LB641
0-85psi	P811L642	P811LB642
0-150psi	P811L643	P811LB643
0-250psi	P811L644	P811LB644
0-350psi	P811L645	P811LB645
0-450psi	P811L646	P811LB646
0-500psi	P811L647	P811LB647

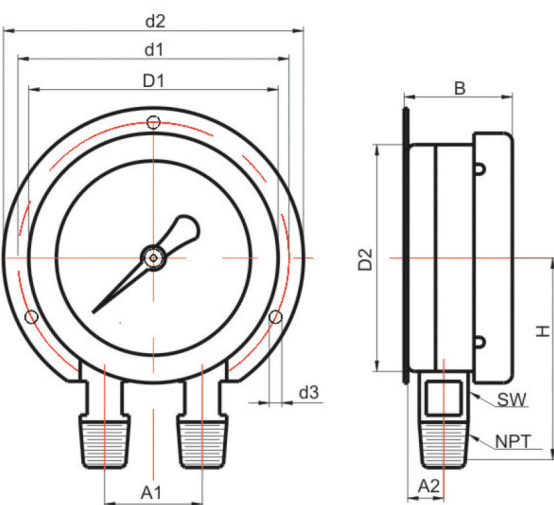


● **4" Bottom Connection**



Connection	H	D1	D2	B	A1	A2
1/4" NPT	3.543" (90mm)					
3/8" NPT	3.622" (92mm)	4.488" (114mm)	3.937" (100mm)	1.811" (46mm)	1.417" (36mm)	0.669" (17mm)
1/2" NPT	3.701" (94mm)					

● **4" Bottom Connection with Back Flange**



Connection	H	D1	D2	d1	d2	d3	B	A1	A2
1/4" NPT	3.543" (90mm)								
3/8" NPT	3.622" (92mm)	4.488" (114mm)	3.937" (100mm)	4.528" (115mm)	5.039" (128mm)	0.217" (5.5mm)	1.811" (46mm)	1.417" (36mm)	0.669" (17mm)
1/2" NPT	3.701" (94mm)								