

● Applications:

- * For applications with high dynamic pressure pulsations or vibration a liquid filled case and socket restrictor are available
- * Suitable for corrosive environments and gaseous or liquid media that will not obstruct the pressure system
- * Process industry: chemical / petrochemical, power stations, mining, on and offshore, environmental technology, mechanical engineering and plant construction.



● Features:

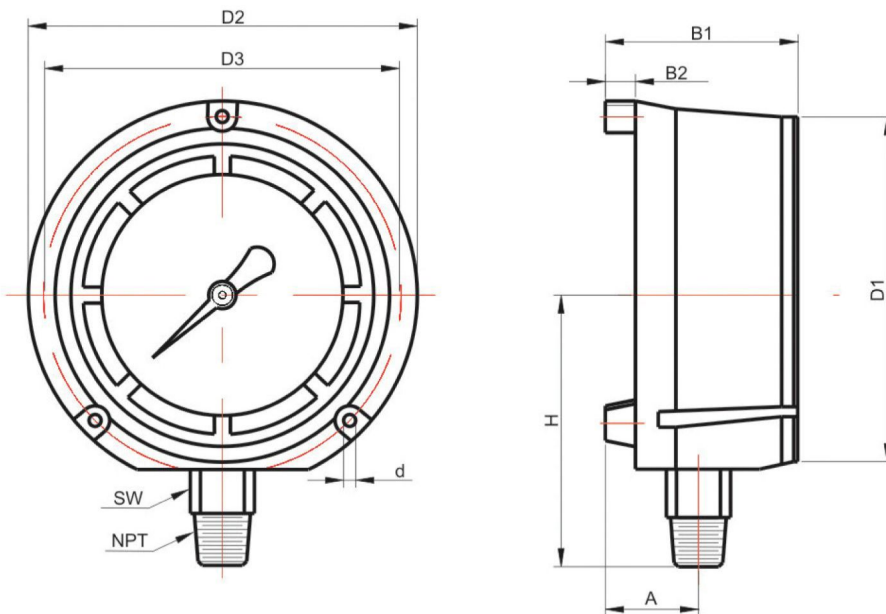
- * Dial: 4.5" (115mm) white aluminum with black and red markings
- * Safety glass window, adjustable pointer, dry and fillable
- * Bottom 1/2" NPT, 316 stainless steel.
- * Bourdon tube: 316L stainless steel, less than 1000PSI, C-type, More than 1,500PSI, Helical type
- * Pressure element: 316L Stainless steel
 - < 100bar: C-type
 - ≥ 100bar: helical type
- * Movement: Stainless steel
- * Dial: Aluminium, white, black lettering, pointer stop pin
- * Pointer: Adjustable pointer, aluminium, black
- * Case: Phenolic case. Solid front. Blowout back option available upon request.
- * Window: Clear non-splintering plastic (PMMA), retained by internal threaded bezel
- * ASME B40.100 and EN837-1 compliant
- * 5 year warranty

Specifications	
Dial	4.5" (115mm)
Case	Phenolic case. Solid front. Blowout back option available upon request.
Lens	Safety glass Bayonet ring and restrictor screw
Socket	316L SS
Connection	1/4" NPT or 1/2" NPT
Movement	Stainless steel
Pointer	Black aluminium, adjustable
Welding	TIG
Over-pressure Limit	25% of full scale value
Working Pressure	Maximum 80% of full scale value
Ambient/Process Temperature	-40°F to 200°F (-40°C to 93°C) Dry -4°F to 150°F (-20°C to 65°C) Glycerin-filled
Accuracy	±1.0% and ±0.5% ANSI/ASME Grade 2A
Enclosure Rating	IP65

● **PPG Series Product Code** (Scales kPa, bar, kg/cm² ... available)

Dial Size	4.5" (115mm)			
	1/4" Bottom	1/4" Lower Back	1/2" Bottom	1/2" Lower Back
30"Hg Vac	P6L7430V	P6LB7430V	P6L7230V	P6LB7230V
30"/0/15 psi	P6L74301	P6LB74301	P6L72301	P6LB72301
30"/0/30 psi	P6L74302	P6LB74302	P6L72302	P6LB72302
30"/0/60 psi	P6L74303	P6LB74303	P6L72303	P6LB72303
30"/0/100 psi	P6L74304	P6LB74304	P6L72304	P6LB72304
30"/0/160 psi	P6L74305	P6LB74305	P6L72305	P6LB72305
30"/0/200 psi	P6L74306	P6LB74306	P6L72306	P6LB72306
30"/0/300 psi	P6L74307	P6LB74307	P6L72307	P6LB72307
0/15 psi	P6L741	P6LB741	P6L721	P6LB721
0/30 psi	P6L742	P6LB742	P6L722	P6LB722
0/60 psi	P6L743	P6LB743	P6L723	P6LB723
0/100 psi	P6L744	P6LB744	P6L724	P6LB724
0/160 psi	P6L745	P6LB745	P6L725	P6LB725
0/200 psi	P6L746	P6LB746	P6L726	P6LB726
0/300 psi	P6L747	P6LB747	P6L727	P6LB727
0/400 psi	P6L748	P6LB748	P6L728	P6LB728
0/600 psi	P6L749	P6LB749	P6L729	P6LB729
0/1,000 psi	P6L7410	P6LB7410	P6L7210	P6LB7210
0/1,500 psi	P6L7411	P6LB7411	P6L7211	P6LB7211
0/2,000 psi	P6L7412	P6LB7412	P6L7212	P6LB7212
0/3,000 psi	P6L7413	P6LB7413	P6L7213	P6LB7213
0/4,000 psi	P6L7414	P6LB7414	P6L7214	P6LB7214
0/5,000 psi	P6L7415	P6LB7415	P6L7215	P6LB7215
0/6,000 psi	P6L7416	P6LB7416	P6L7216	P6LB7216
0/7,500 psi	P6L7417	P6LB7417	P6L7217	P6LB7217
0/1,0000 psi	P6L7418	P6LB7418	P6L7218	P6LB7218
0/1,5000 psi	P6L7419	P6LB7419	P6L7219	P6LB7219

● **Bottom Connection**



Dial Size	D 1	D 2	D 3	d	B 1	B 2	A	H	SW
4.5"	5.118" (130mm)	5.827" (148mm)	5.394" (137mm)	0.236" (6mm)	3.425" (87mm)	0.669" (17mm)	1.614" (41mm)	4.016" (102mm)	0.669" (17mm)