



● Features:

- * 2.5" (68mm) dial has a blue and red colored case for easy identification
- * Dual scale (psi/°F)
- * Flutterless movement on the 2.5" (68mm)
- * Chlorofluorocarbon (CFC) temperature scales, refrigerant R-12, R-22, R-502, R-134A, R-410A
- * ASME B40.100 and EN-837-1 compliant

● Applications:

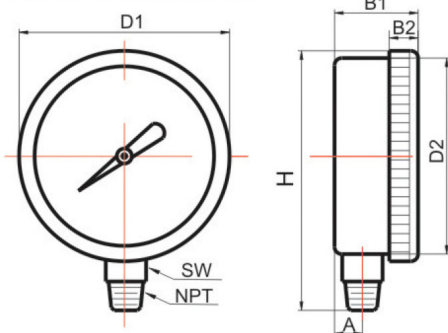
- * Refrigeration equipment and refrigeration recovery equipment
- * Suitable for fluid medium which does not clog connection port or corrode copper alloy

Specifications	
Dial	2.5" (68mm)
Case	Plastic or painted steel, blue or red colour (Rubber cover available)
Lens	Plastic threaded
Socket	Brass
Connection	1/8" NPT or 1/4" NPT
Movement	Copper alloy
Pointer	Black aluminium, anodized black
Over-pressure Limit	25% of full scale value
Working Pressure	Maximum 75% of full scale value
Ambient/Process Temperature	-40°F to 158°F (-40°C to 70°C)
Accuracy	±2% of full scale value

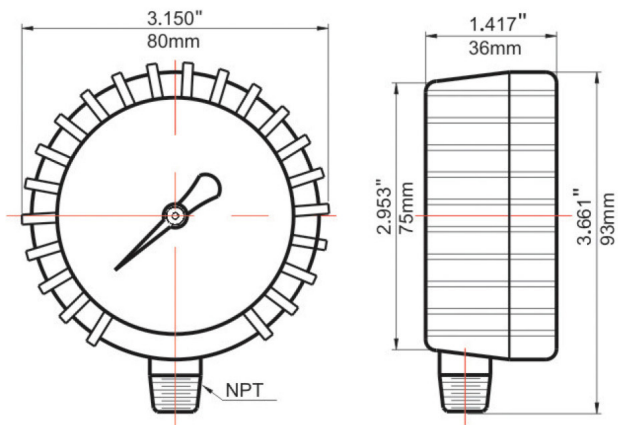
● PRC Series Product Code

Dial Size	2.5" (68mm)	
Case Material	Plastic	
Socket	Brass	
NPT Connection	1/8" Bottom	1/4" Bottom
30"/0/120 psi (retard 350psi)	P51L38301	P51B34301
30"/0/300 psi	P51L38302	P51B34302
30"/0/350 psi (retard 500psi)	P51L38303	P51B34303
0/500 psi	P51L381	P51B341
0/800 psi	P51L382	P51B342

● Bottom Connection



● Bottom Connection with Rubber Cover



Dial Size	D1	D2	B1	B2	A	H	SW
2.5"	2.874" (73mm)	2.677" (68mm)	1.142" (29mm)	0.394" (10mm)	0.413" (10.5mm)	1.850" (47mm)	0.551" (14mm)



● Features:

- * Dial size 2.5"(63mm) or 4"(100mm)
- * Dual scale (psi/°F)
- * Chlorofluorocarbon(CFC) temperature scales, refrigerant R-12, R-22, R-502, R-134A, R-410A
- * Brass or stainless steel internals
- * ASME B40.100 and EN837-1 compliant

● Applications:

- * Refrigeration equipment and refrigeration recovery equipment
- * Suitable for fluid medium

Specifications	
Dial	2.5"(63mm), 4"(100mm)
Case	Stainless steel
Lens	Polycarbonate
Socket	Brass or SS304, SS316, 316L
Connection	1/8"NPT, 1/4"NPT or 1/2"NPT
Movement	Copper alloy or stainless steel
Pointer	Black aluminium, anodized black
Over-pressure Limit	25% of full scale value
Working Pressure	Maximum 75% of full scale value
Ambient/Process Temperature	-13°F to 149°F (-25°C to 60°C)
Accuracy	2.5"(63mm): ±2% of full scale value 4"(100mm): ± ANSI/ ASME Grade 1A

● Option Explanation:

1. For all the following options, need special instructions in writing.

- * Socket material is SS304, SS316 or SS316L etc.
- * The gauge is Liquid-filled or Dry with filling hole.
- * Socket and internals are separated and screwed together with the case, just same as the explanation of liquid-filled pressure gauge on page 06.
- * Socket and internals are completed and fixed with case by screws on the back, just same as the explanation of liquid-filled pressure gauge on page 06.

2. All the product codes in following sheets don't include above option items.

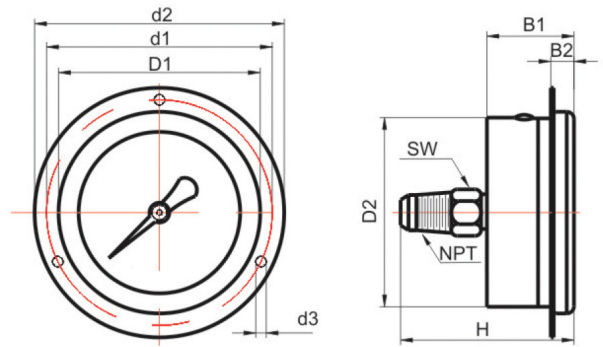
● PRS Series Product Code

Dial Size	2.5" (63mm)		4" (100mm)		4" (100mm)	
Socket	Brass		Brass		SS	
NPT Connection	1/8" Bottom	1/8" Back with Front Flange	1/4" Bottom	1/2" Bottom	1/4" Bottom	1/2" Bottom
30"/0/120 psi (retard 350psi)	P52L38301B	P52B38301B	P52L64301B	P52L62301	P52L64301S	P52L62301S
30"/0/300 psi	P52L38302B	P52B38302B	P52L64302B	P52L62302	P52L64302S	P52L62302S
30"/0/350 psi (retard 500psi)	P52L38303B	P52B38303B	P52L64303B	P52L62303	P52L64303S	P52L62303S
0/500 psi	P52L381B	P52B381B	P52L641B	P52L621	P52L641S	P52L621S
0/800 psi	P52L382B	P52B382B	P52L642B	P52L622	P52L642S	P52L622S

- Other ranges and connection sizes available upon request.

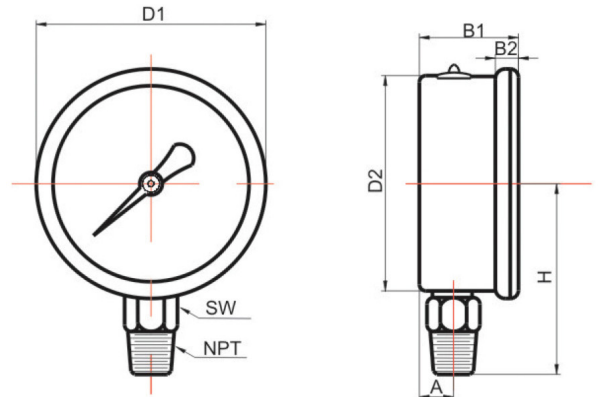


● 2.5" Back Connection with Front Flange



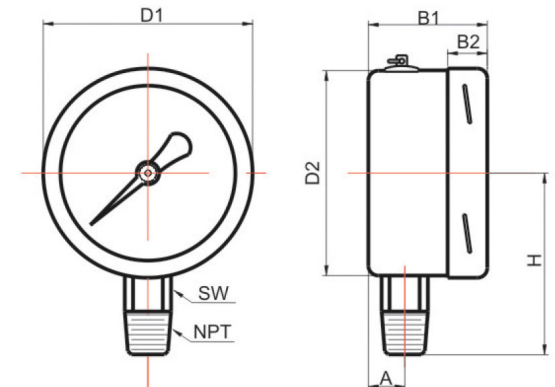
Dial Size	D1	D2	B1	B2	d1
2.5"	2.717" (69mm)	2.441" (62mm)	1.181" (30mm)	0.236" (6mm)	3.055" (77.6mm)
Dial Size	d2	d3	H	SW	
2.5"	3.465" (88mm)	0.177" (4.5mm)	2.205" (56mm)	0.551" (14mm)	

● Bottom Connection, Crimped Ring



Dial Size	D1	D2	B1	B2	A	H	SW
2.5"	2.717" (69mm)	2.441" (62mm)	1.181" (30mm)	0.236" (6mm)	0.394" (10mm)	2.244" (57mm)	0.551" (14mm)
4"	4.291" (109mm)	3.878" (98.5mm)	1.417" (36mm)	0.276" (7mm)	0.512" (13mm)	3.189" (81mm)	0.866" (22mm)

● Bottom Connection, Laser Welding



Dial Size	D1	D2	B1	B2	A	H	SW
2.5"	2.5" (63mm)	2.421" (61.5mm)	1.280" (32.5mm)	0.472" (12mm)	0.394" (10mm)	2.205" (56mm)	0.551" (14mm)
4"	4" (100mm)	3.878" (98.5mm)	1.909" (48.5mm)	0.669" (17mm)	0.630" (16mm)	3.307" (84mm)	0.866" (22mm)