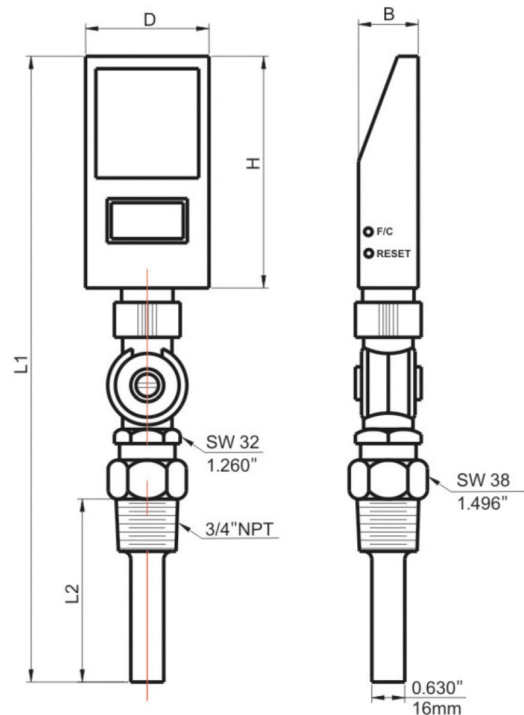


● Features:

- * Dual Scale Switchable Between °F and °C
- * Display Updates Every 10 Seconds
- * 0.10° Display Resolution
- * Adjustable Angle Over 180°
- * 360° Case Rotation
- * 3.5" (90mm) or 6" (150mm) Stem
- * Durable High Impact ABS Case
- * Polycarbonate Lens
- * Low Light Compatible 16 LUX Minimum
- * 1-1/4"-18 UNEF Brass Swivel Nut Connection
- * -50°F to 320°F (-45°C to 160°C)
Process Temperature Limit
- * 14°F to 150°F (-10°C to 65°C)
Ambient Temperature Limit

● Applications:

- * The bulb and socket are completely interchangeable with standard industrial thermometers. Fits right back into your existing well.
- * The easy to read LCD display has a range of -50 to 300°F and -50 to 150°C (user selectable). Reads to 0.1 of a degree.
- * Large solar panel needs only 16 lux to operate. Adjustable stem makes it easy to read at any angle.



Specifications	
Stem	3.5", 6"
Range	-50+150°C & -50+300°F
Case	ABS
LCD Display	3/8"
Connection	3/4" NPT
Power	Solar, no battery
Accuracy	±1%

● TSD Series Product Code

Stem Length	3.5"	6"
-50/320°F & -45/160°C	DAT35	DAT6

Dial Length	D	B	H	L1	L2
9" (225mm)	2.362" (60mm)	1.142" (29mm)	4.488" (114mm)	12.161" (308.9mm)	3.5" (88.9mm)
	2.362" (60mm)	1.142" (29mm)	4.488" (114mm)	14.661" (372.4mm)	6" (152.4mm)



Digital Adjustable Angle Thermometer

TDA Series

● Features:

- * Solar digital industrial thermometer
- * Dial size 3" (75mm)
- * Temperature range: -50°F to 320°F (-50°C to 160°C)
- * Connection: 1/2"NPT, Adjustable angle
- * Housing in the weather-resistant SS304 case
- * Big LCD display

● Applications:

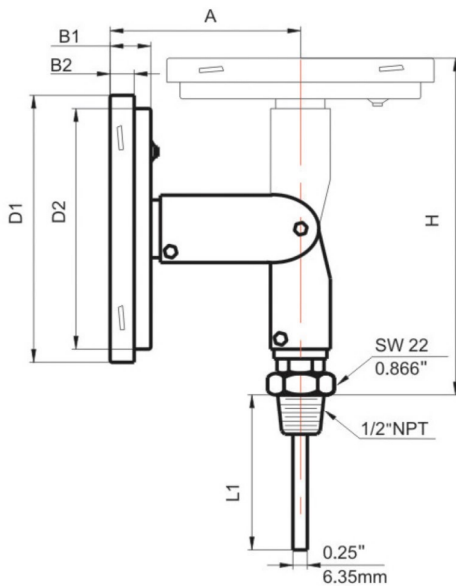
- * Temperature sensing for heating, ventilation, air conditioning, food processing, waste water, industrial processes or compressors



Specifications	
Dial	3" (75mm)
Range	Single reading -50+150°C -50+300°F
Case	SS 304
Stem Length	2.5" (63mm) ~ 24" (610mm)
Connection	1/2"NPT, adjustable angle
Power	Solar and battery
Accuracy	±1%

● TDA Series Product Code

Dial Size	3" (75mm)							
Stem Length	2.5"	4"	6"	9"	12"	15"	18"	24"
50/320°F & -50/160°C	SDT25	SDT4	SDT6	SDT9	SDT12	SDT15	SDT18	SDT24



Dial Size	D1	D2	B1	B2	A	H	L1
3"	3.189" (81mm)	2.953" (75mm)	0.866" (22mm)	0.394" (10mm)	2.283" (58mm)	4.094" (104mm)	2.5" (63.5mm)
							4" (101.6mm)
							6" (152.4mm)
							9" (228.6mm)
							12" (304.8mm)
							15" (381mm)
							18" (457.2mm)
24" (609.6mm)							

Remote Reading Digital Thermometer, TDT-1 Series



● TDT-1A



● TDT-1B

Product Code	Size	Case	Range	Capillary	Accuracy
TDT-1A	Dial 2"	Stainless Steel	-40+150°F/ -40+70°C	1m, 1.5m, 2m, etc.	±1%
TDT-1B	105×28mm	Plastic			

Digital Meat Thermometer, TDT-2 Series



Product Code	Dial	Stem	Range	Case	Power	Accuracy
TDT-2	1.5"	5" standard	-122+302°F	ABS	Battery	±1%

Digital Probe Thermometer, TDT-3 Series



Product Code	Size	Display	Range	Power	Accuracy
TDT-3	200×20×230mm	3.5X110mm	-58~572°F	Battery	±1%

Digital Clinical Thermometer, TDT-4 Series



Product Code	Size	Range	Power	Measuring time	Useful life	Accuracy
TDT-4	127×175×100mm	89.6-109.4° F	Battery	1 minute	1000 times	±1%

Digital Indoor & Outdoor Thermometer

TDI-1



TDI-2



TDI-3



TDI-4



TDI-5



TDI-6



TDI-7



TDI-8



TDI-9



TDI-10



TDI-11



TDI-12

